

CANDY

CMW 2070S

MICROWAVE OVEN

INSTRUCTION MANUAL

GB

FOUR à MICRO-ONDES

FOUR À MICRO-ONDES

FR

МИКРОВОЛНОВАЯ ПЕЧЬ

ИНСТРУКЦИЯ ПО ИСПОЛЬЗОВАНИЮ

RU

МІКРОХВИЛЬОВА ПІЧ

Інструкція з ек спл уатації UKA

UKA

MIKROVALOVNA PEČICA

Navodila za uporabo

SI

KUCHENKA MIKROFALOWA

Instrukcja Obsługi

PL

FORNO A MICROONDE

Manuale I struzioni

IT

Mikrovlinná trouba

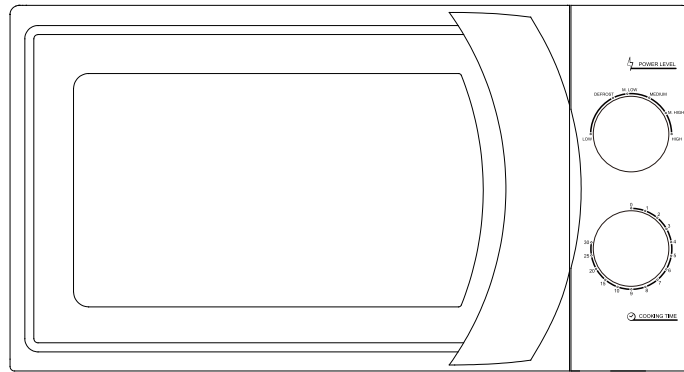
Návod k použití

CZ

Mikrovlinná rúra

Návod na obsluhu

SK



MICROWAVE OVEN

Model: CMW 2070S

Owner's Manual

Please read these instructions carefully before installing and operating the oven. Record in the space below the SERIAL NO. found on the nameplate on your oven and retain this information for future reference.

DECLARATION OF COMPLIANCE



By placing the CE mark on this product, we are confirming compliance to all relevant European safety, health and environmental requirements which are applicable in legislation for this product.

WASTE MANAGEMENT AND ENVIRONMENTAL PROTECTION



This appliance is labelled in accordance with European Directive 2012/19/EU regarding electric and electronic appliances (WEEE). The WEEE contain both polluting substances (that can have a negative effect on the environment) and base elements (that can be reused.) It's important that the WEEE undergo specific treatments to correctly remove and dispose of the pollutants and recover all the materials. Individuals can play an important role in ensuring that the WEEE do not become an environmental problem; it is essential to follow a few basic rules:

- The WEEE should not be treated as domestic waste;
- The WEEE should be taken to dedicated collection areas managed by the town council or a registered company.

In many countries, domestic collections may be available for large WEEEs. When you buy a new appliance, the old one can be returned to the vendor who must accept it free of charge as a one-off, as long as the appliance is of an equivalent type and has the same functions as the purchased appliance.

PRECAUTIONS TO AVOID POSSIBLE EXPOSURE TO EXCESSIVE MICROWAVE ENERGY

1. Do not attempt to operate this oven with the door open since open door operation can result in harmful exposure to microwave energy. It is important not to defeat or tamper with the safety interlocks.
2. Do not place any object between the oven front face and the door or allow soil or cleaner residue to accumulate on sealing surfaces.
3. Do not operate the oven if it is damaged. It is particularly important that the oven door close properly and that there is no damage to the
 - a. Door (bent),
 - b. Hinges and latches (broken or loosened),
 - c. Door seals and sealing surfaces.
4. The oven should not be adjusted or repaired by anyone except properly qualified service personnel.

CONTENT

IMPORTANT SAFETY INSTRUCTIONS 3

SPECIFICATIONS 3

INSTALLATION..... 4

RADIO INTERFERENCE 4

MICROWAVE COOKING PRINCIPLES..... 4

GROUNDING INSTRUCTIONS 4

BEFORE YOU CALL FOR SERVICE..... 5

UTENSILS GUIDE 5

PART NAMES..... 6

CONTROL PANEL..... 6

OPERATION 7

CLEANING AND CARE 7

IMPORTANT SAFETY INSTRUCTIONS

When using electrical appliance basic safety precautions should be followed, including the following:

WARNING: To reduce the risk of burns, electric shock, fire, injury to persons or exposure to excessive microwave energy:

1. Read all instructions before using the appliance.
2. Use this appliance only for its intended use as described in this manual. Do not use corrosive chemicals or vapors in this appliance. This type of oven is specifically designed to heat, cook or dry food. It is not designed for industrial or laboratory use.
3. Do not operate the oven when empty.
4. Do not operate this appliance if it has a damaged cord or plug, if it is not working properly or if it has been damaged or dropped. If the supply cord is damaged, it must be replaced by the manufacturer or its service agent or a similarly qualified person in order to avoid a hazard
5. **WARNING:** Only allow children to use the oven without supervision when adequate instructions have been given so that the child is able to use the oven in a safe way and understands the hazards of improper use.
6. To reduce the risk of fire in the oven cavity:
 - When heating food in plastic or paper container, check the oven frequently to the possibility of ignition.
 - Remove wire twist-ties from paper or plastic bags before placing bag in oven.
 - If smoke is observed, switch off or unplug the appliance and keep the door closed in order to stifle any flames.
 - Do not use the cavity for storage purposes. Do not leave paper products, cooking utensils or food in the cavity when not in use.
7. **WARNING:** Liquid or other food must not be heated in sealed containers since they are liable to explode.
8. Microwave heating of beverage can result in delayed eruptive boiling, therefore care has to be taken when handle the container.
9. Do not fry food in the oven. Hot oil can damage oven parts and utensils and even result in skin burns.
10. Eggs in their shell and whole hard-boiled eggs should not be heated in microwave ovens since they may explode even after microwave heating has ended.
11. Pierce foods with heavy skins such as potatoes, whole squashes, apples and chestnuts before cooking.
12. The contents of feeding bottles and baby jars should be stirred or shaken and the temperature should be checked before serving in order to avoid burns.
13. Cooking utensils may become hot because of heat transferred from the heated food. Potholders may be needed to handle the utensil.
14. Utensils should be checked to ensure that they are suitable for use in microwave oven.
15. **WARNING:** It is hazardous for anyone other than a trained person to carry out any service or repair operation which involves the removal of any cover which gives protection against exposure to microwave energy.
16. This product is a Group 2 Class B ISM equipment. The definition of Group 2 which contains all ISM (Industrial, Scientific and Medical) equipment in which radiofrequency energy is intentionally generated and/or used in the form of electromagnetic radiation for the treatment of material, and spark erosion equipment. For Class B equipment is equipment suitable for use in domestic establishments and in establishments directly connected to a low voltage power supply network which supplies buildings used for domestic purpose.
17. This appliance is not intended for use by persons (including children) with reduced physical, sensory or mental capabilities, or lack of experience and knowledge, unless they have been given supervision or instruction concerning use of the appliance by a person responsible for their safety.
18. Children should be supervised to ensure that they do not play with the appliance.

SPECIFICATIONS

Power Consumption:	230V-240V/50Hz, 1200W(Microwave)
Rated microwave power output:	700W
Operation Frequency:	2450MHz
Outside Dimensions:	262mm(H)x452mm(W)x335mm(D)
Oven Cavity Dimensions:	198mm(H)x315mm(W)x297mm(D)
Oven Capacity:	20Litres
Cooking Uniformity:	Turntable System
Net Weight:	Approx.10.5 kg

INSTALLATION

1. Make sure that all the packing materials are removed from the inside of the door.
2. **WARNING:** Check the oven for any damage, such as misaligned or bent door, damaged door seals and sealing surface, broken or loose door hinges and latches and dents inside the cavity or on the door. If there is any damage, do not operate the oven and contact qualified service personnel.
3. Do not place the oven where heat, moisture, or high humidity are generated, or near combustible materials.
4. For correct operation, the oven must have sufficient airflow. Allow 20cm of space above the oven, 10cm at back and 5cm at both sides. Do not cover or block any openings on the appliance. Do not remove feet.
5. Do not operate the oven without glass turntable and turntable support in their proper positions.
6. Make sure that the power supply cord is undamaged and does not run under the oven or over any hot or sharp surface.
7. The socket must be readily accessible so that it can be easily unplugged in an emergency.
8. Do not use the oven outdoors.

RADIO INTERFERENCE

Operation of the microwave oven can cause interference to your radio, TV, or similar equipment. When there is interference, it may be reduced or eliminated by taking the following measures:

1. Clean door and sealing surface of the oven.
2. Reorient the receiving antenna of radio or television.
3. Relocate the microwave oven with respect to the receiver.
4. Move the microwave oven away from the receiver.
5. Plug the microwave oven into a different outlet so that microwave oven and receiver are on different branch circuits.

MICROWAVE COOKING PRINCIPLES

1. Arrange food carefully. Place thickest areas towards outside of dish.
2. Watch cooking time. Cook for the shortest amount of time indicated and add more as needed. Food severely overcooked can smoke or ignite.
3. Cover foods while cooking. Covers prevent spattering and help foods to cook evenly.
4. Turn foods over once during microwave cooking to speed cooking of such foods as chicken and hamburgers. Large items like roasts must be turned over at least once.
5. Rearrange foods such as meatballs halfway through cooking both from top to bottom and from the center of the dish to the outside.

GROUNDING INSTRUCTIONS

This appliance must be grounded. This oven is equipped with a cord having a grounding wire with a grounding plug. It must be plugged into a wall receptacle that is properly installed and grounded. In the event of an electrical short circuit, grounding reduces risk of electric shock by providing an escape wire for the electric current. It is recommended that a separate circuit serving only the oven be provided. Using a high voltage is dangerous and may result in a fire or other accident causing oven damage.

WARNING Improper use of the grounding plug can result in a risk of electric shock.

Note:

1. If you have any questions about the grounding or electrical instructions, consult a qualified electrician or service person.
2. Neither the manufacturer nor the dealer can accept any liability for damage to the oven or personal injury resulting from failure to observe the electrical connection procedures.

The wires in this cable main are colored in accordance with the following code:

Green and Yellow = EARTH Blue= NEUTRAL

BEFORE YOU CALL FOR SERVICE

If the oven fails to operate:

1. Check to ensure that the oven is plugged in securely. If it is not, remove the plug from the outlet, wait 10 seconds, and plug it in again securely.
2. Check for a blown circuit fuse or a tripped main circuit breaker. If these seem to be operating properly, test the outlet with another appliance.
3. Check to ensure that the control panel is programmed correctly and the timer is set.
4. Check to ensure that the door is securely closed engaging the door safety lock system. Otherwise, the microwave energy will not flow into the oven.

IF NONE OF THE ABOVE RECTIFIES THE SITUATION, THEN CONTACT A QUALIFIED TECHNICIAN. DO NOT TRY TO ADJUST OR REPAIR THE OVEN YOURSELF.

PRODUCT SERIAL NUMBER. Where can I find it?

It is important you to inform the Assistance Service of your product code and its serial number (a 16 character code which begins with the number 3); this can be found on the guarantee certificate or on the data plate located on the appliance.

It will help to avoid wasted journeys to technicians, thereby (and most significantly) saving the corresponding callout charges.

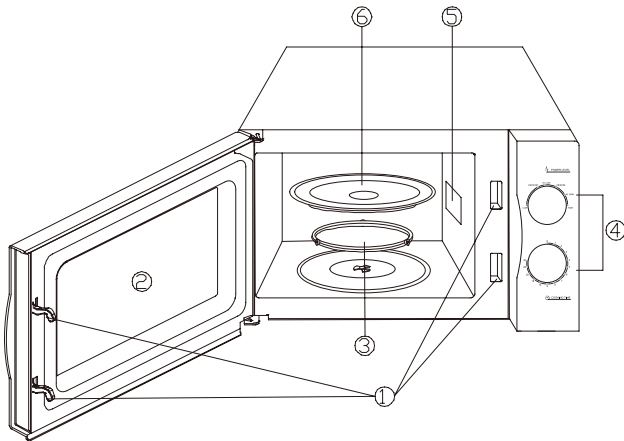
UTENSILS GUIDE

1. The ideal material for a microwave utensil is transparent to microwave, it allows energy to pass through the container and heat the food.
2. Microwave cannot penetrate metal, so metal utensils or dishes with metallic trim should not be used.
3. Do not use recycled paper products when microwave cooking, as they may contain small metal fragments which may cause sparks and/or fires.
4. Round /oval dishes rather than square/oblong ones are recommend, as food in corners tends to overcook.
5. Narrow strips of aluminum foil may be used to prevent overcooking of exposed areas. But be careful don't use too much and keep a distance of 1 inch (2.54cm) between foil and cavity.

The list below is a general guide to help you select the correct utensils.

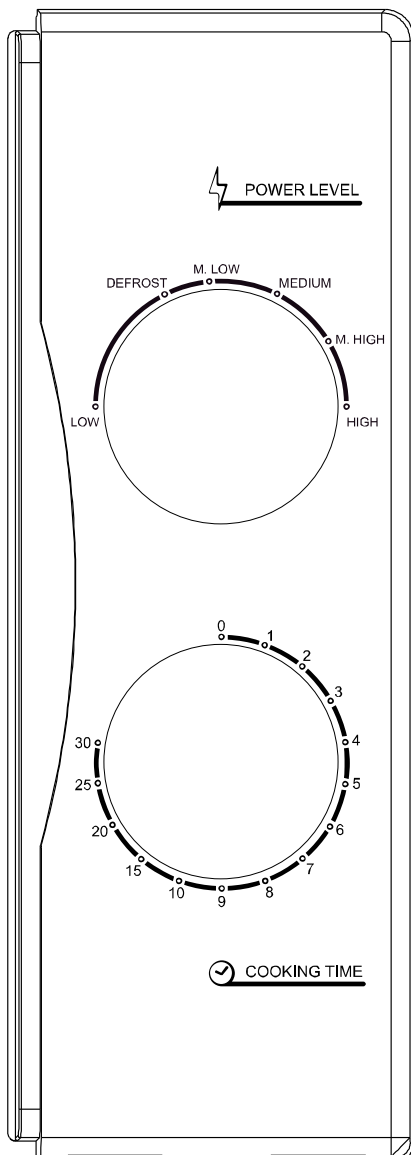
COOKWARE	MICROWAVE
Heat-Resistant Glass	Yes
Non Heat-Resistant Glass	No
Heat-Resistant Ceramics	Yes
Microwave-Safe Plastic Dish	Yes
Kitchen Paper	Yes
Metal Tray	No
Metal Rack	No
Aluminum Foil & Foil Containers	No

PART NAMES



1. Door Safety Lock System
2. Oven Window
3. Turntable Roller
4. Control Panel
5. Wave Guide
6. Glass Turntable

CONTROL PANEL



The control panel consists of two function operators. One is a time knob, and the other a power knob.

POWER LEVEL ACTION SELECTOR

You use this operator knob to choose a cooking power level. It is the first step to start a cooking session.

TIMER KNOB

Offers visual timing settings at easy turn of your thumb to select a desired cooking time up to 30 minutes per cooking session.

MICROWAVE COOKING

For pure microwave cooking, there are six power levels from which to choose one as best fit to do the job at hand.

Power level increases with the knob turning clockwise. The power levels can be classified as the following:

	Power Output	Description
1	100%	HIGH
2	88%	M.HIGH
3	73%	MED
4	52%	M.LOW
5	42%	DEFROST
6	20%	LOW

OPERATION

To start a cooking session,

1. Place food in oven and close the door.
2. Turn Power Level Selector to select a power level.
3. Use Timer knob to set a cooking time.

NOTE:

As soon as the timer is turned, oven starts cooking.

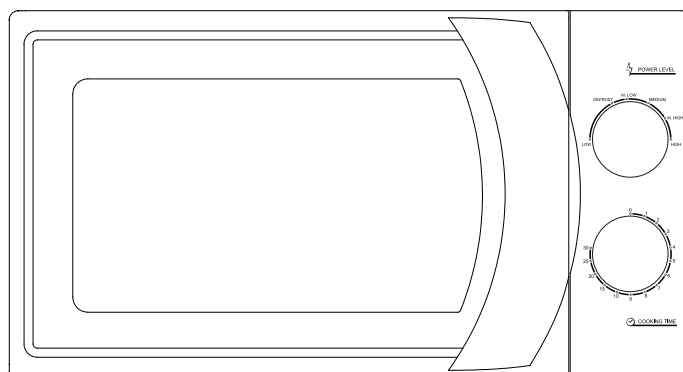
When selecting time for less than 2 minutes,

turn timer past 2 minutes and then return to the correct time.

CAUTION: ALWAYS RETURN TIMER BACK TO ZERO POSITION if food is removed from oven before the set cooking time is complete or when oven is not in use. To stop oven during cooking process, push the door release button or open the door by the handle.

CLEANING AND CARE

1. Turn off the oven and remove the power plug from the wall socket before cleaning.
2. Keep the inside of the oven clean. When food splatters or spilled liquids adhere to oven walls, wipe with a damp cloth. Mild detergent may be used if the oven gets very dirty. Avoid the use of spray and other harsh cleaners as they may stain, streak or dull the door surface.
3. The outside surfaces should be cleaned with a damp cloth. To prevent damage to the operating parts inside the oven, water should not be allowed to seep into the ventilation openings.
4. Wipe the door and window on both sides, the door seals and adjacent parts frequently with a damp cloth to remove any spills or splatters. Do not use abrasive cleaner.
5. Do not allow the control panel to become wet. Clean with a soft, damp cloth. When cleaning the control panel, leave oven door open to prevent oven from accidentally turning on.
6. If steam accumulates inside or around the outside of the oven door, wipe with a soft cloth. This may occur when the microwave oven is operated under high humidity condition. And it is normal.
7. It is occasionally necessary to remove the glass tray for cleaning. Wash the tray in warm sudsy water or in a dishwasher.
8. The turntable roller and oven floor should be cleaned regularly to avoid excessive noise. Simply wipe the bottom surface of the oven with mild detergent. The turntable roller may be washed in mild sudsy water or dishwasher. When removing the roller ring from cavity floor for cleaning, be sure to replace in the proper position.
9. Remove odors from your oven by combining a cup of water with the juice and skin of one lemon in a deep microwaveable bowl, microwave for 5 minutes. Wipe thoroughly and dry with a soft cloth.
10. When it becomes necessary to replace the oven light, please consult a dealer to have it replaced.
11. The oven should be cleaned regularly and any food deposits removed. Failure to maintain the oven in a clean condition could lead to deterioration of the surface that could adversely affect the life of the appliance and possibly result in a hazardous.
12. Please do not dispose this appliance into the domestic rubbish bin; it should be disposed to the particular disposal center provided by the municipalities



FOUR À MICRO-ONDES

Modèle: CMW 2070S

Manuel d'utilisation

Veillez lire ces instructions avec attention avant d'installer et d'utiliser le four. Notez ci-dessous le numéro de série (SERIAL NO) mentionné sur la plaque signalétique de votre four, et conservez cette information pour pouvoir y faire référence plus tard.

DÉCLARATION DE CONFORMITÉ



En plaçant le CE marque sur ce produit, nous confirmons la conformité à toutes les exigences européennes pertinentes en matière de sécurité, de santé et d'environnement qui sont applicables dans la législation de ce produit.

GESTION DES DÉCHETS ET PROTECTION DE L'ENVIRONNEMENT



Cet appareil est étiqueté conformément à la directive européenne 2012/19/ EU relative aux appareils électriques et électroniques (DEEE). Les DEEE contiennent à la fois des substances polluantes (pouvant avoir un effet négatif sur l'environnement) et des éléments de base (réutilisables). Il est important que les DEEE subissent des traitements spécifiques pour éliminer et éliminer correctement les polluants et récupérer tous les matériaux. Les individus peuvent jouer un rôle important en veillant à ce que les DEEE ne deviennent pas un problème environnemental; Il est essentiel de suivre quelques règles de base:

- les DEEE ne doivent pas être traités comme des ordures ménagères;
- Les DEEE doivent être acheminés vers des zones de collecte spécialisées gérées par le conseil municipal ou une société enregistrée.

Dans de nombreux pays, des collections nationales peuvent être disponibles pour les grands DEEE. Lorsque vous achetez un nouvel appareil, l'ancien peut être retourné au fournisseur qui doit l'accepter gratuitement, à condition que l'appareil soit d'un type équivalent et présente les mêmes fonctions que l'appareil acheté.

PRÉCAUTIONS VISANT À ÉVITER UNE ÉVENTUELLE EXPOSITION EXCESSIVE AUX ONDES MAGNETIQUES

1. N'essayez pas d'utiliser ce four avec la porte ouverte car cela peut entraîner une exposition excessive aux ondes magnétiques. Il est important de ne pas bricoler ou endommager les dispositifs de sécurité.
2. Ne placez aucun objet entre la face avant du four et la porte, et veillez à ce que de la poussière ou des résidus de nettoyage ne s'accumulent pas sur les joints de fermeture.
3. N'utilisez pas le four lorsqu'il est endommagé. Il est essentiel que la porte du four ferme correctement et qu'il n'y ait aucun dommage :
 - a. à la porte (pliage)
 - b. aux charnières ou aux loquets (cassés ou desserrés)
 - c. aux joints de la porte et aux surfaces de fermeture.
4. Le four ne peut être ajusté ou réparé par aucune personne autre qu'un technicien d'entretien dûment qualifié.

TABLE DES MATIÈRES

INSTRUCTIONS DE SÉCURITÉ IMPORTANTES.....	3
SPÉCIFICATIONS	3
INSTALLATION.....	4
INTERFÉRENCE RADIO	4
PRINCIPES DE CUISSON AU MICRO-ONDES.....	4
INSTRUCTIONS DE MISE À LA TERRE.....	4
A V A N T D'APPELER LE SERVICE CLIENT.....	5
GUIDE DES USTENSILES	5
NOM DES PIÈCES	5
PANNEAU DE CONTRÔLE	6
FONCTIONNEMENT	6
NETTOYAGE ET ENTRETIEN	7

INSTRUCTIONS DE SÉCURITÉ IMPORTANTES

L'emploi d'un appareil électrique implique des précautions de sécurité fondamentales, dont celles-ci:

AVERTISSEMENT : Pour réduire les risques de brûlures, chocs électriques, feu, blessures corporelles ou exposition excessive aux ondes magnétiques:

1. Lisez toutes les instructions avant d'utiliser l'appareil.
2. N'employez cet appareil que pour l'usage pour lequel il est prévu, tel que décrit dans ce manuel. N'employez pas de produits chimiques corrosifs ou des vapeurs dans cet appareil. Ce type d'appareil est spécifiquement conçu pour réchauffer ou cuire des aliments. Il n'est pas conçu pour un usage industriel ou en laboratoire.
3. N'utilisez pas le four lorsqu'il est vide.
4. N'utilisez pas cet appareil si son câble d'alimentation ou sa prise électrique sont endommagés, s'il ne fonctionne pas correctement, ni s'il a été endommagé ou est tombé. Si le câble d'alimentation est endommagé, il doit être remplacé par le fabricant ou une personne d'entretien qualifiée, en vue d'éviter tout risque d'accident.
5. **AVERTISSEMENT**: Ne permettez l'usage de l'appareil à des enfants sans supervision que s'ils ont reçu des instructions adéquates leur permettant d'employer le four en toute sécurité et de comprendre les risques liés à une utilisation incorrecte.
6. Pour réduire les risques de feu dans la cavité du four :
 - ✧ Lors du réchauffage d'aliments emballés sous plastique ou papier, vérifiez fréquemment pour éviter tout feu.
 - ✧ Enlevez les attaches des sacs plastiques ou papier avant de les placer dans le four.
 - ✧ En cas de fumée, arrêtez ou déconnectez l'appareil et laissez la porte du four fermée pour que les éventuelles flammes s'éteignent.
 - ✧ N'utilisez pas le four pour stocker des marchandises.
 - ✧ Ne laissez pas de papiers, d'ustensiles de cuisine ou d'aliments dans le four lorsque vous ne l'employez pas.
7. **AVERTISSEMENT**: Les liquides et autres aliments ne peuvent pas être réchauffés dans des emballages hermétiquement fermés, car ils pourraient exploser.
8. Le réchauffage au micro-ondes de liquides peut susciter une ébullition tardive, et il faut donc faire attention en sortant le récipient.

9. Ne faites pas frire des aliments dans le four. L'huile brûlante peut endommager le four et provoquer des brûlures.
10. Ne réchauffez pas des œufs ou des œufs durs dans leur coquille au micro-ondes, ils pourraient exploser même après la fin du réchauffage.
11. Percez les aliments qui ont une peau épaisse, comme les pommes de terre, les fruits entiers, les pommes et les marrons, avant de les cuire.
12. Le contenu des biberons d'enfants doit être remué ou secoué, et la température doit être vérifiée avant emploi pour éviter toute brûlure.
13. Les ustensiles de cuisson peuvent devenir brûlants du fait de la chaleur transmise par les aliments. Il est conseillé d'utiliser des maniques pour manier l'ustensile de cuisson.
14. Il convient de vérifier que l'ustensile est adapté à un emploi au micro-ondes.
15. **AVERTISSEMENT**: Il est dangereux pour toute personne non compétente et non formée d'effectuer un entretien ou une réparation impliquant l'enlèvement de tout élément assurant la sécurité vis-à-vis d'une exposition aux ondes magnétiques.
16. Ce produit est un appareil Groupe 2 Classe B ISM. Le Groupe 2 est défini comme incluant tout équipement ISM (Industriel, Scientifique et Médical) dans lequel une énergie de radiofréquence est générée volontairement et/ou est utilisée sous forme de radiation électromagnétique pour le traitement de matières, et tout équipement d'usinage par étincelage. Un appareil de Classe B est un appareil adapté à l'emploi dans des environnements domestiques et dans des établissements connectés directement à une alimentation électrique de bas voltage alimentant les lieux dans un but domestique.
17. Cet appareil n'est pas destiné à être utilisé par des personnes (y compris des enfants) ayant des capacités physiques, sensorielles ou mentales réduites, ou manquant d'expérience et de connaissance, à moins qu'elles n'aient reçu à propos de l'emploi de l'appareil une supervision ou des instructions de la part d'une personne responsable de leur sécurité.
18. Il faut surveiller les enfants pour qu'ils ne jouent pas avec l'appareil.

SPÉCIFICATIONS

Consommation électrique :	230V-240V/50Hz, 1200W(Micro-onde)
Puissance de sortie m-o nominale :	700W
Fréquence d'utilisation :	2450MHz
Dimensions externes :	262mm(H)x452mm(L)x335mm(P)
Dimensions de la cavité du four :	198mm(H)x315mm(L)x297mm(P)
Capacité du four :	20 Litres
Uniformité de cuisson :	Table tournante
Poids net:	Approx. 10.5 kg

INSTALLATION

1. Assurez-vous que tous les matériaux d'emballage ont été enlevés de l'intérieur de l'appareil.
2. **AVERTISSEMENT:** Vérifiez que le four n'est pas endommagé; par exemple: porte mal alignée ou tordue, joints et surfaces endommagés, charnières et loquets cassés ou mal fixés, bosses à l'intérieur du four ou sur la porte. En cas de dommage quelconque, n'utilisez pas le four et faites appel à un personnel d'entretien qualifié.
3. Ne placez pas le four à un endroit soumis à de la chaleur, de l'eau ou une humidité élevée, ni près de matériaux inflammables.
4. Pour une bonne utilisation le four doit disposer de suffisamment d'air.
5. Assurez-vous que le four dispose de 20 cm au-dessus, de 10 cm derrière et de 5 cm de chaque côté. Ne couvrez pas l'appareil, n'en bloquez pas les ouvertures. N'enlevez pas les pieds de l'appareil.
6. N'utilisez pas l'appareil sans que le plateau de verre, les roulettes et l'axe soient bien placés.
7. Assurez-vous que le câble d'alimentation ne soit pas endommagé et qu'il ne passe pas sous le four ou sur une surface chaude ou aiguë.
8. La prise électrique doit être accessible pour pouvoir être enlevée facilement en cas de besoin.
9. N'employez pas le four à l'extérieur.

INTERFÉRENCE RADIO

L'emploi du four micro-ondes peut générer des interférences avec votre radio, TV ou d'autres appareils de ce type.

En cas d'interférence, elle peut être réduite ou éliminée en prenant les mesures suivantes :

1. Nettoyez la porte et les surfaces de fermeture du four.
2. Réorientez l'antenne de réception de la radio

ou de la TV.

3. Déplacez le four micro-ondes par rapport au récepteur.
4. Éloignez le four micro-ondes du récepteur.
5. Branchez le four micro-ondes dans une autre prise de manière à ce que le four et le récepteur soient sur des circuits électriques différents.

PRINCIPES DE CUISSON AU MICRO-ONDES

1. Disposez les aliments avec soin. Placez les zones les plus épaisses à l'extérieur de l'assiette ou du plateau.
2. Vérifiez la durée de cuisson. Cuisez pendant le temps le plus court indiqué, puis cuisez plus longtemps si nécessaire. Des aliments beaucoup trop cuits peuvent fumer ou s'enflammer.
3. Couvrez les aliments pendant qu'ils cuisent. Les couvrir permet d'éviter les éclaboussures et aide à obtenir une cuisson uniforme.
4. Retournez les aliments une fois en cours de cuisson dans le but d'accélérer la cuisson d'aliments tels que du poulet ou des hamburgers. Des aliments épais comme des rôtis doivent être retournés au moins une fois.
5. Pour des aliments comme des boulettes de viande, redispirez-les en cours de cuisson : retournez-les et déplacez-les du centre vers l'extérieur et inversement.

INSTRUCTIONS DE MISE À LA TERRE

L'appareil doit être mis à la terre. Le four est équipé d'un câble avec prise de terre. Il doit être branché à une prise électrique murale correctement montée et mise à la terre. En cas de court-circuit électrique, la mise à la terre réduit le risque de choc électrique en permettant au courant électrique de s'échapper. Il est recommandé d'utiliser un circuit à part réservé au four. L'emploi d'un voltage élevé est dangereux et peut provoquer un incendie ou d'autres accidents endommageant le four.

AVERTISSEMENT : Un emploi incorrect de la mise à la terre peut provoquer un risque de choc électrique.

Note:

1. Pour toute question relative à la mise à la terre

ou aux instructions électriques, consultez un électricien ou un responsable d'entretien qualifié.

2. Ni le fabricant ni le revendeur ne peuvent accepter de responsabilité pour tout dommage occasionné au four ou toute blessure physique résultant d'un défaut d'observation des procédures de connexion électrique.

Les fils du câble principal sont colorés selon le code suivant :

Vert et jaune = TERRE
Bleu=NEUTRE
Bruns= ACTIFS

A V A N T D'APPELER LE SERVICE CLIENT

En cas de problème de fonctionnement :

1. Assurez-vous que le four est correctement branché. Dans le cas contraire, débranchez-le de la prise murale, attendez 10 secondes et reconnectez-le en toute sécurité.
2. Vérifiez qu'il n'y a pas un plomb qui ait sauté ou un disjoncteur disjoncté. Si ce n'est pas le cas, testez la prise électrique murale avec un autre appareil.
3. Vérifiez que le panneau de contrôle est correctement programmé et que la minuterie est branchée.
4. Vérifiez que la porte est bien fermée et que le système de fermeture de sécurité est bien engagé. Sans quoi, l'énergie micro-ondes ne sera pas émise dans le four. **SI RIEN DE TOUT CELA NE RECTIFIE LA SITUATION, FAITES APPEL À UN TECHNICIEN QUALIFIÉ. N'ESSAYEZ JAMAIS D'AJUSTER OU DE RÉPARER LE FOUR VOUS-MÊME.**

NUMÉRO DE SÉRIE DU PRODUIT. Où puis-je le trouver?

Il est important que vous communiquiez au service d'aide votre code produit et le numéro de série (un code de 16 caractères commençant par le chiffre 3); vous le trouverez sur le certificat de garantie ou sur la plaque signalétique de l'appareil.

Cela permet d'éviter des trajets inutiles au technicien et ainsi des frais supplémentaires.

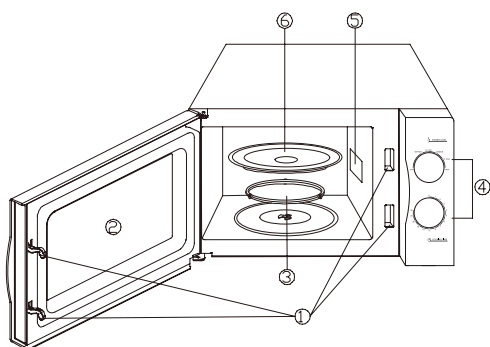
GUIDE DES USTENSILES

1. Les matériaux idéaux pour les récipients utilisés au micro-ondes sont transparents, car ils permettent à l'énergie de passer au travers du contenant et de chauffer les aliments.
2. Les micro-ondes ne pénètrent pas le métal. Il ne faut donc pas utiliser des ustensiles ou des plats en métal ou ayant des finitions métalliques.
3. N'employez pas de contenants fabriqués à partir de papier recyclé dans le four à micro-ondes, car ils peuvent contenir de petits fragments métalliques pouvant causer des étincelles et/ou des incendies.
4. Des plats ronds ou ovales sont préférables à des plats carrés, car les aliments placés dans les coins tendent à être trop cuits.
5. Des petites bandes d'aluminium peuvent être employées pour éviter une surchauffe des parties exposées. Mais faites attention à ne pas en employer trop et conservez en tout cas une distance d'environ 2,50 cm entre l'aluminium et les parois du four.

La liste ci-dessous est un guide général qui vous aidera à sélectionner les ustensiles adéquats.

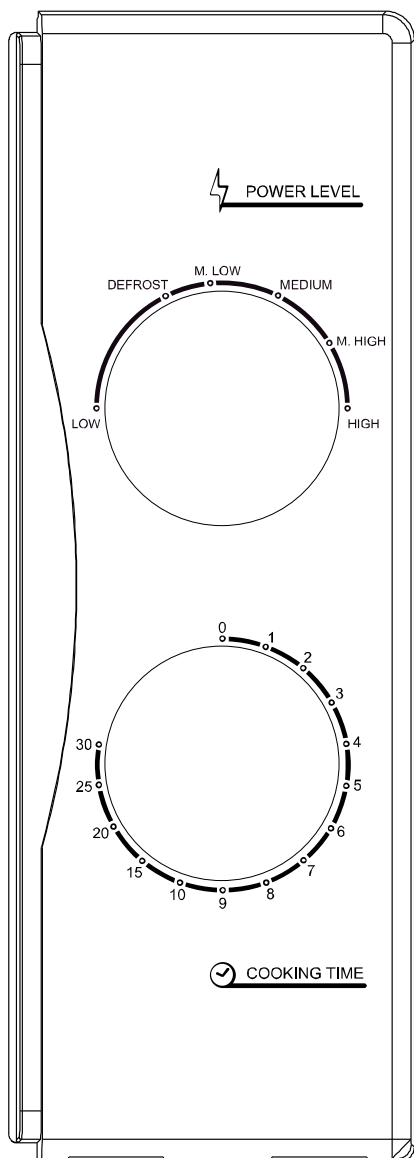
USTENSILE	MICRO-ONDES
Verre résistant à la chaleur	Oui
Verre non résistant à la chaleur	Non
Céramique résistant à la chaleur	Oui
Plastique pour micro-ondes	Oui
Papier de cuisson	Oui
Plateau métallique	Non
Support métallique	Non
Feuille et récipients en feuille alu	Non

NOM DES PIÈCES



1. Système de fermeture sécurisée de porte
2. Fenêtre du four
3. Support de plateau tournant
4. Panneau de contrôle
5. Guide d'ondes
6. Plateau de verre pivotant

PANNEAU DE CONTRÔLE



Le panneau de contrôle contient deux manettes de sélection. L'une est une minuterie, et l'autre un bouton de sélection de puissance.

SÉLECTEUR PUISSANCE/ACTION

Ce bouton a pour objet de choisir une puissance de cuisson. C'est la première étape d'une session de cuisson.

MINUTERIE

Il permet de sélectionner visuellement une durée de cuisson, en le tournant et jusqu'à 30 minutes.

CUISSON MICRO-ONDES

Pour une cuisson purement au micro-ondes, vous disposez de six niveaux de puissance, parmi lesquelles vous pouvez choisir selon vos intentions de cuisson.

La puissance augmente en tournant le bouton dans le sens des aiguilles d'une montre.

Les niveaux de puissance peuvent être classés comme suit:

	Puissance de sortie	Description
1	100%	HAUTE
2	88%	MOYEN. HAUTE.
3	73%	MOYENNE
4	52%	MOYEN. BASSE
5	42%	DÉCONGÉLATION
6	20%	BASSE

FONCTIONNEMENT

Pour lancer la cuisson,

1. Placez les aliments dans le four et fermez la porte
2. Tournez le sélecteur Puissance/Action pour choisir une puissance de cuisson.
3. Utilisez la minuterie pour choisir le temps de cuisson.

NOTE:

Le four commence la cuisson dès que le bouton de la minuterie est tourné.

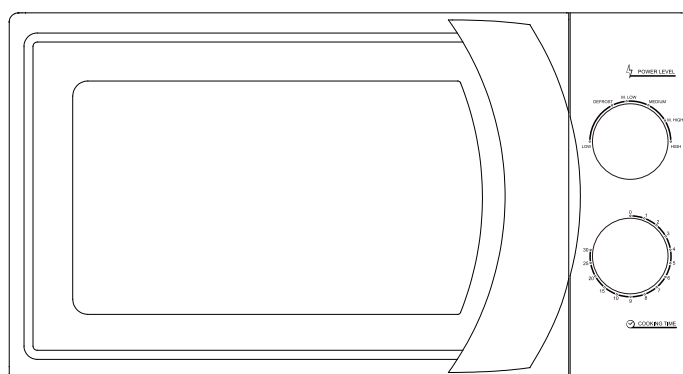
Pour sélectionner une durée inférieure à 2

minutes, tournez la minuterie au-delà de 2 minutes, puis revenez en arrière pour sélectionner la durée que vous souhaitez.

AVERTISSEMENT: TOUJOURS REMETTRE LA MINUTERIE À LA POSITION ZÉRO lorsque vous enlevez les aliments du four avant que la durée choisie n'ait été atteinte, ou lorsque le four n'est pas employé. Pour arrêter le four en cours de cuisson, pressez le bouton d'ouverture de la porte ou ouvrez la porte à l'aide de la poignée.

NETTOYAGE ET ENTRETIEN

1. Éteignez le four et enlevez la fiche électrique de la fiche murale avant tout nettoyage.
2. Gardez l'intérieur du four propre. Lorsque des aliments éclaboussent ou que des liquides sont projetés sur les parois, essuyez avec un chiffon humide. Un détergent doux peut être employé si le four devient très sale. Évitez l'emploi de sprays et d'autres nettoyeurs abrasifs qui pourraient salir, rayer ou ternir la surface de la porte.
3. Les surfaces extérieures seront nettoyées avec un chiffon humide. Pour éviter d'endommager les mécanismes intérieurs du four, ne jamais laisser de l'eau pénétrer dans les ouvertures de ventilation.
4. Essuyez fréquemment la porte et la fenêtre des deux côtés, les zones de fermeture et les parties adjacentes, avec un chiffon humide en vue d'éliminer toutes les éclaboussures ou projections. N'employez pas de détergent abrasif.
5. Ne mouillez jamais le panneau de contrôle.
6. Nettoyez-le avec un chiffon doux et humide. Lorsque vous nettoyez le panneau de contrôle, laissez la porte ouverte pour éviter une mise en marche intempestive du four.
7. Si de la vapeur s'accumule à l'intérieur ou autour de la porte du four, essuyez-la avec un chiffon doux. Ceci est normal et peut se produire lorsque le four micro-ondes est utilisé dans des conditions d'humidité élevée.
8. Il est parfois nécessaire d'enlever le plateau de verre pour le nettoyer. Lavez-le avec de l'eau savonneuse chaude ou dans le lave-vaisselle.
9. L'anneau roulant et le sol du four doivent être régulièrement nettoyés pour éviter un bruit excessif. Essuyez simplement le sol du four avec un détergent doux. L'anneau roulant peut être nettoyé dans une eau savonneuse légère ou au lave-vaisselle. Lorsque vous enlevez l'anneau du four, assurez-vous de le remettre en place de façon correcte.
10. Pour désodoriser votre four, mélangez une tasse d'eau avec le jus d'un citron et son zeste dans un bol à micro-ondes et cuisez pendant 5 minutes. Séchez complètement avec un chiffon doux.
11. Lorsqu'il s'avère nécessaire de remplacer la lampe du four, consultez un revendeur pour le faire.
12. Le four doit être régulièrement nettoyé, et il faut enlever tout dépôt alimentaire. Si le four ne reste pas propre, il pourrait se produire une détérioration des surfaces qui pourrait affecter la durée de vie de l'appareil ou susciter des accidents.
13. Veuillez ne pas jeter l'appareil dans une poubelle normale; il convient de le remettre à un centre local de collecte des déchets.



МИКРОВОЛНОВАЯ ПЕЧЬ


Модель: CMW 2070S

Руководство пользователя

Пожалуйста, внимательно прочитайте эти инструкции перед установкой и работой печи. Запишите в пространстве ниже SERIAL NO. найденный на паспортной табличке в духовке и сохраняющий эту информацию для дальнейшего использования.

Декларация соответствия требованиям безопасности (нормы ЕС)



Размещая  маркировку на этом продукте, мы подтверждаем соответствие всем соответствующим европейским требованиям безопасности, здоровья и окружающей среды, которые применяются в законодательстве для этого продукта.

Утилизация и защита окружающей среды (нормы ЕС)



Данный прибор имеет маркировку в соответствии с Европейской директивой 2012/19/ЕС об отходах производства электрического и электронного оборудования (WEEE). Отходы производства электрического и электронного оборудования содержат загрязняющие вещества (которые могут негативно влиять на окружающую среду) и основные компоненты (которые подлежат повторному использованию). Важно, чтобы отходы производства электрического и электронного оборудования подвергались специальной обработке с целью удаления и утилизации всех загрязняющих веществ, а также регенерации и повторного использования всех материалов.

Каждый может сделать существенный вклад в предотвращение экологических проблем, вызываемых отходами производства электрического и электронного оборудования; для этого важно придерживаться некоторых основных правил:

- Нельзя обращаться с отходами производства электрического и электронного оборудования, как с бытовыми отходами;
- Отходы производства электрического и электронного оборудования следует передавать в пункты сбора, контролируемые органами местной власти или зарегистрированными компаниями. Во многих странах при наличии большого количества отходов производства электрического и электронного оборудования сбор отходов осуществляется на дому.
- При покупке нового прибора старый прибор можно вернуть розничному торговому предприятию, которое обязано принять его бесплатно на основе взаимно-однозначного соответствия, если это приборы аналогичного типа, и возвращаемый прибор имеет те же функции, что и продаваемый.

МЕРЫ ПРЕДОСТОРОЖНОСТИ ДЛЯ ИСКЛЮЧЕНИЯ ВОЗМОЖНОГО ВОЗДЕЙСТВИЯ ИЗБЫТОЧНОЙ МИКРОВОЛНОВОЙ ЭНЕРГИИ

1. Не допускается эксплуатация данной печи с открытой дверцей, так как работа с открытой дверцей способна создать вредное воздействие микроволновой энергии. Важно исключить воздействие и не мешать работе защелок дверцы.
2. Не допускается помещение любых объектов между лицевой частью печи и дверцей или накопление загрязнений или остатков чистящего средства на уплотнительных поверхностях.
3. Печь запрещается эксплуатировать при наличии повреждений. Особенно важно, чтобы дверца печи закрывалась надлежащим образом, и чтобы отсутствовали
 - a. нижеперечисленные повреждения: Door (bent),
 - b. Hinges and latches (broken or loosened),
 - c. Door seals and sealing surfaces.
4. К регулировке работы и ремонту печи допускается только квалифицированный сервисный персонал.

СОДЕРЖАНИЕ

ВАЖНЫЕ УКАЗАНИЯ ПО БЕЗОПАСНОСТИ.....	3
ТЕХНИЧЕСКИЕ ХАРАКТЕРИСТИКИ.....	4
УСТАНОВКА.....	4
РАДИОПОМЕХИ.....	4
ПРИНЦИПЫ ПРИГОТОВЛЕНИЯ В МИКРОВОЛНОВОЙ ПЕЧИ.....	5
ИНСТРУКЦИИ ПО ЗАЗЕМЛЕНИЮ.....	5
ПЕРЕД ТЕМ КАК ОБРАТИТЬСЯ ЗА ОБСЛУЖИВАНИЕМ.....	5
ВЫБОР ПОСУДЫ.....	6
НАЗВАНИЯ ДЕТАЛЕЙ.....	6
ПАНЕЛЬ УПРАВЛЕНИЯ.....	7
ЭКСПЛУАТАЦИЯ.....	7
ЧИСТКА И УХОД.....	8

ВАЖНЫЕ УКАЗАНИЯ ПО БЕЗОПАСНОСТИ

При использовании электроприборов требуется соблюдение основных мер безопасности, включая следующее:

ПРЕДУПРЕЖДЕНИЕ: Для понижения риска получения ожогов, поражения электротоком, возгорания, получения травм людьми или воздействия избыточной микроволновой энергии необходимо следующее:

1. Прочитать все инструкции перед использованием устройства.
2. Использовать данное устройство только по назначению согласно описанию в этом руководстве. Не использовать коррозионные химикаты или пары в этом устройстве. Этот тип печи специально разработан для разогревания, приготовления или подсушивания пищевых продуктов. Он не предназначен для промышленного или лабораторного использования.
3. Печь не включать, когда она пуста.
4. Печь также запрещено использовать при наличии повреждений шнура питания или вилки, если сама печь работает ненадлежащим образом, или если печь уронили или она повреждена. При повреждении шнура питания он должен быть заменен изготовителем, его сервисным агентом или другим квалифицированным лицом для предотвращения опасной ситуации.
5. **ПРЕДУПРЕЖДЕНИЕ:** Детям нужно позволять использовать микроволновую печь без присмотра только после того, как им будет в достаточной мере объяснено, как пользоваться печью безопасным образом, и какие опасности могут возникать от ненадлежащего использования.
6. Для сокращения риска возгорания внутри печи:
 - При разогревании пищи в пластиковом или бумажном контейнере необходимо часто проверять на наличие возможного возгорания.
 - Перед помещением бумажных или пластиковых пакетов в печь с них необходимо снимать проволоочные зажимы-закрутки.
 - Если будет замечен дым, устройство отключить или выключить из розетки, а дверцу держать закрытой для тушения пламени, которое могло возникнуть.
 - Внутреннюю часть печи не допускается использовать для хранения. Когда печь не используется, внутри нее нельзя оставлять бумажные изделия, посуду для приготовления или продукты питания.
7. **ПРЕДУПРЕЖДЕНИЕ:** Жидкие и иные пищевые продукты запрещается разогревать в плотно закрытых контейнерах, так как они способны взрываться.
8. Разогрев напитков в микроволновом режиме может приводить к задержанному вскипанию с выбрасыванием жидкости, поэтому нужно быть осторожным при вынимании контейнера.
9. Запрещается жарить еду в печи. Горячее масло может повредить детали печи и посуду и даже вызвать ожоги кожи.
10. Яйца в скорлупе и целые яйца, сваренные вкрутую, нельзя разогревать в микроволновых печах, так как они могут взорваться даже после окончания микроволнового разогревания.
11. Пищевые продукты с твердой кожурой, например, картофель, целые тыквы, яблоки и каштаны, необходимо протыкать перед приготовлением.
12. Содержимое бутылочек для кормления и детских баночек необходимо перемешивать или встряхивать, а температуру содержимого необходимо проверять перед использованием во избежание ожогов.
13. Посуда для приготовления пищи может стать горячей из-за воздействия тепла, передающегося от разогретой еды. Поэтому для обращения с посудой могут потребоваться кухонные рукавички.
14. Посуду необходимо проверять на пригодность к использованию в микроволновой печи.
15. **ПРЕДУПРЕЖДЕНИЕ:** Любому человеку, не обладающему соответствующей подготовкой, опасно проводить любые работы по обслуживанию или ремонту, которые включают в себя снятие каких-либо крышек, обеспечивающих защиту от воздействия микроволновой энергии.
16. Данное изделие является оборудованием Группы 2 Класса В. Группа 2 включает в себя все промышленные, научные и медицинские (ISM) устройства, в которых преднамеренно генерируется радиочастотная энергия, и/или она используется в виде электромагнитного излучения для обработки материалов, а также сюда входит оборудование для проведения электроэрозионной обработки. Оборудование Класса В является оборудованием, пригодным для использования в домашних условиях и в условиях, в которых имеется прямое подключение к сети электропитания с низким напряжением, питающей здания, предназначенные для жилых целей.
17. Прибор не предназначен для самостоятельной эксплуатации детьми, людьми с ограниченными физическими,

сенсорными и умственными способностями, недостатком опыта и знаний; такие люди могут пользоваться прибором только под присмотром лица, ответственного за их безопасность, которое расскажет правила

пользования прибороми проследит за выполнением инструкций.

18. Дети должны находиться под присмотром, чтобы они не использовали устройство для игры.

ТЕХНИЧЕСКИЕ ХАРАКТЕРИСТИКИ

Потребление электроэнергии:	230 В-240 В/50 Гц, 1200 Вт (для микроволнового режима)
Номинальная выходная микроволновая мощность:	700 Вт
Рабочая частота:	2450 МГц
Наружные размеры:	262 мм (В)х452 мм (Ш)х335 мм (Г)
Размеры внутренней части печи:	198 мм (В)х315 мм (Ш)х297 мм (Г)
Вместимость печи:	20 литров
Равномерность приготовления:	Система с вращающейся подставкой
Вес нетто:	Приблиз. 10,5 кг

УСТАНОВКА

1. Убедитесь, что все упаковочные материалы удалены с внутренней стороны двери.
2. ПРЕДУПРЕЖДЕНИЕ. Проверьте духовку на предмет любых повреждений, таких как смещенная или изогнутая дверь, поврежденные дверные уплотнения и уплотнительная поверхность, сломанные или свободные дверные петли и защелки и вмятины внутри полости или на двери. Если есть какие-либо повреждения, не используйте печь и обратитесь к квалифицированному обслуживающему персоналу.
3. Печь нельзя устанавливать в местах, в которых происходит нагрев, накопление влаги или образование высокой влажности воздуха, а также вблизи горючих материалов.
4. Для надлежащей работы печь должна обдуваться достаточным воздушным потоком. Предусмотреть пространство 20 см над печью, 10 см позади и 5 см с обеих сторон. Запрещается накрывать или заглушать любые отверстия на устройстве. Запрещается снимать ножки печи.
5. Запрещается использовать печь без стеклянного поддона, роликовой опоры и стержня в их надлежащих позициях.
6. Проверить отсутствие повреждений на шнуре питания, и что он не проложен под печью, по горячим поверхностям или вблизи острых углов.
7. Розетка электропитания должна находиться поблизости от печи, чтобы вилку можно было быстро вынуть при экстренной необходимости.
8. Запрещается использовать печь вне помещений.

РАДИОПОМЕХИ

Работа печи способна создавать помехи радиоприемникам, телевизорам или подобному оборудованию. При наличии помех их можно сократить или устранить, приняв следующие меры:

1. Провести чистку дверцы и уплотнительной поверхности печи.
2. Изменить ориентацию принимающей антенны радиоприемника или телевизора.
3. Переставить печь относительно принимающего устройства.
4. Удалить печь от принимающего устройства.
5. Включить вилку печи в другую розетку, чтобы печь и приемник были подключены к разным контурам.

ПРИНЦИПЫ ПРИГОТОВЛЕНИЯ В МИКРОВОЛНОВОЙ ПЕЧИ

1. Пищевые продукты необходимо располагать аккуратно для приготовления. Наиболее толстые части нужно класть по направлению к краям блюда.
2. Требуется соблюдение времени приготовления. Необходимо использовать самое малое время, указанное для приготовления, и добавлять больше времени по мере необходимости. Пища, передержанная в печи в процессе приготовления, способна дымить или загореться.
3. Пищу необходимо накрывать при приготовлении. Крышка предотвращает разбрызгивание и способствует равномерному приготовлению.
4. Пищевые продукты следует переворачивать один раз для ускорения процесса при приготовлении таких продуктов, как цыпленок или гамбургер, в микроволновом режиме. Большие куски мяса для жарки необходимо переворачивать несколько раз.
5. Такие продукты, как фрикадельки, необходимо переворачивать в середине приготовления и перемещать от центра к краю блюда.

ИНСТРУКЦИИ ПО ЗАЗЕМЛЕНИЮ

Данное устройство должно быть заземлено. Эта печь оснащается шнуром питания, имеющим заземляющую жилу с соответствующим заземляющим дополнительным контактом в вилке. Эту вилку следует включать в розетку электропитания, установленную и заземленную надлежащим образом. При возникновении короткого замыкания заземление понижает риск поражения электротоком за счет наличия отводящей жилы для электричества.

Рекомендуется предусмотреть отдельный контур электропитания для использования его с печью. Использование высокого напряжения опасно, и это способно привести к возгоранию или иным нежелательным явлениям, изза которых печь будет повреждена.

ПРЕДУПРЕЖДЕНИЕ. Ненадлежащее использование заземляющей вилки способно привести к поражению электротоком.

Примечание:

1. При наличии любых вопросов касательно заземления или инструкций по использованию электроприборов необходимо обратиться к квалифицированному электрику или специалисту по обслуживанию.
2. Ни предприятие-изготовитель, ни продавец не несут ответственности за повреждение печи или получение травм людьми, которые возникли из-за несоблюдения правил выполнения электрических соединений.

Жилы в главном кабеле данного устройства окрашиваются в разные цвета для маркировки следующего:

Зеленый и желтый = ЗЕМЛЯ

Синий = НЕЙТРАЛЬ

Коричневый= НАПРЯЖЕНИЕ

ПЕРЕД ТЕМ КАК ОБРАТИТЬСЯ ЗА ОБСЛУЖИВАНИЕМ

Если печь не работает:

1. Проверить вставку вилки печи в розетку. Если вилка вставлена ненадежно, вынуть ее из розетки, подождать 10 секунд и вставить ее вновь надежно.
2. Проверить, не сгорел ли предохранитель цепи, и не сработал ли автомат защиты цепи. Если эти устройства находятся в работающем состоянии, необходимо проверить розетку, подключив другое устройство.
3. Проверить правильность программирования панели управления и настройку таймера.
4. Проверить, чтобы дверца закрывалась плотно, и при этом срабатывала система безопасного запираания дверцы. Если это не происходит, микроволновая энергия не будет подаваться внутрь печи.

ЕСЛИ НИ ОДНО ИЗ УКАЗАННЫХ ДЕЙСТВИЙ НЕ ПОЗВОЛЯЕТ УСТРАНИТЬ ПРОБЛЕМУ, НЕОБХОДИМО ОБРАТИТЬСЯ К КВАЛИФИЦИРОВАННОМУ СПЕЦИАЛИСТУ. ЗАПРЕЩАЕТСЯ ПЫТАТЬСЯ САМОСТОЯТЕЛЬНО РЕГУЛИРОВАТЬ РАБОТУ И РЕМОНТИРОВАТЬ ПЕЧЬ.

СЕРИЙНЫЙ НОМЕР ИЗДЕЛИЯ. Где найти этот номер?

Вам необходимо сообщить специалистам центра обслуживания код приобретенного изделия и его серийный номер (код из 16 символов, который начинается с цифры 3); его можно найти на гарантийном сертификате или на заводской табличке, расположенной на устройстве.

Это поможет избежать напрасных вызовов технической службы, а это в свою очередь (что самое важное) позволит избежать соответствующих расходов за вызов.

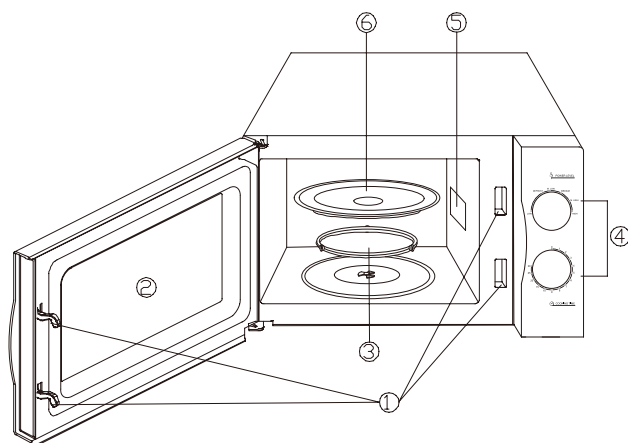
ВЫБОР ПОСУДЫ

1. Идеальный материал для микроволновой посуды прозрачен для микроволновой печи, он позволяет энергии проходить через контейнер и нагревать пищу.
2. Микроволновая печь не может проникать в металл, поэтому металлическая посуда или посуда с металлической отделкой не должны использоваться.
3. Не используйте переработанные бумажные изделия при приготовлении микроволновой печи, так как они могут содержать мелкие металлические фрагменты, которые могут вызвать искры и / или пожары.
4. Рекомендуются круглые / овальные блюда, а не квадратные / продолговатые, так как пища в углах имеет тенденцию перекармливать.
5. Узкие полоски алюминиевой фольги могут использоваться для предотвращения переваривания открытых участков. Но будьте осторожны, не используйте слишком много и держите расстояние 1 дюйм (2,54 см) между фольгой и полостью.

Ниже приведен общий справочник, который поможет вам выбрать правильную посуду.

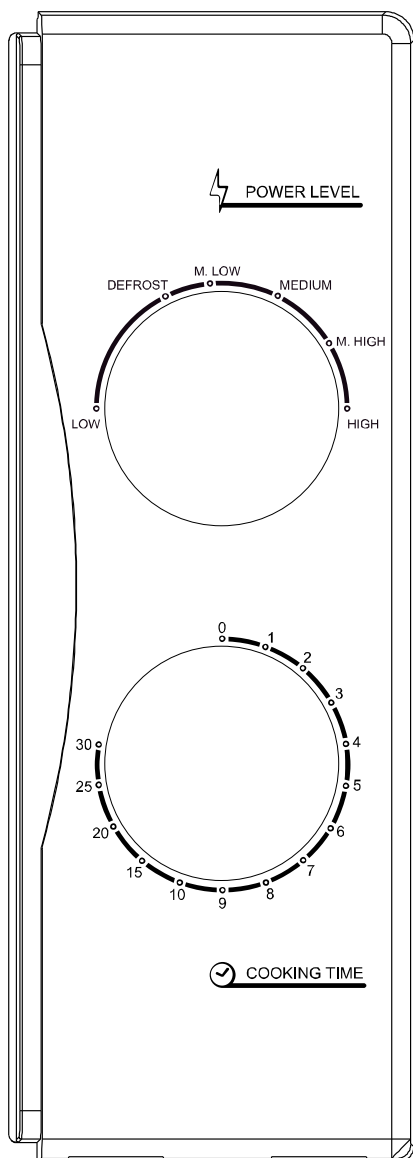
ПОСУДА ДЛЯ ПРИГОТОВЛЕНИЯ	МИКРОВОЛНОВЫЙ РЕЖИМ
Теплостойкое стекло	Да
Нетеплостойкое стекло	Нет
Теплостойкая керамика	Да
Пластиковая посуда для использования в микроволновых печах	Да
Кухонная бумага	Да
Металлические противни	Нет
Металлические подставки	Нет
Алюминиевая фольга и контейнеры из алюминиевой фольги	Нет

НАЗВАНИЯ ДЕТАЛЕЙ



1. Система безопасного запирания дверцы
2. Окно печи
3. Роликовое кольцо поворотной подставки
4. Панель управления
5. Экран волновода
6. Стеклянный поддон

ПАНЕЛЬ УПРАВЛЕНИЯ



На панели управления расположены два функциональных оператора. Один является ручкой управления таймера, а второй - ручкой выбора мощности.

ПЕРЕКЛЮЧАТЕЛЬ МОЩНОСТИ/РЕЖИМОВ

Эта ручка управления используется для выбора уровня мощности при приготовлении пищи. Регулировка с помощью этой ручки является первым этапом начала приготовления.

РУЧКА УПРАВЛЕНИЯ ТАЙМЕРА

С ее помощью простым поворотом из визуальных настроек выбирается нужное время приготовления пищи в диапазоне до 30 минут.

ПРИГОТОВЛЕНИЕ В МИКРОВОЛНОВОМ РЕЖИМЕ

Для приготовления пищи только в микроволновом режиме имеется шесть уровней мощности, из которых выбирается один - наиболее подходящий для конкретных нужд. Уровень мощности увеличивается по мере поворота ручки по часовой стрелке. Уровни мощности можно расположить в следующем порядке:

	Выходная мощность	Описание
1	100%	ВЫСОКАЯ
2	88%	СРЕД. ВЫСОКАЯ
3	73%	СРЕДНЯЯ
4	52%	СРЕД. НИЗКАЯ
5	42%	РАЗМОРАЖИВАНИЕ
6	20%	НИЗКАЯ

ЭКСПЛУАТАЦИЯ

Для начала процесса приготовления пищи:

1. Пищу поместить в микроволновую печь и закрыть дверцу печи.
2. Для выбора уровня мощности поворачивать ручку выбора уровня мощности.
3. Для установки времени приготовления используется ручка управления таймером.

ПРИМЕЧАНИЕ:

После поворота ручки таймера начинается приготовление пищи.


При выборе времени приготовления пищи менее 2

минут ручку таймера повернуть за отметку 2 минуты, а затем вернуть на отметку нужного времени.

ПРЕДУПРЕЖДЕНИЕ: ВСЕГДА ВОЗВРАЩАЙТЕ РУЧКУ ТАЙМЕРА В НУЛЕВОЕ ПОЛОЖЕНИЕ, если пища извлекается из печи до истечения заданного времени приготовления или если микроволновая печь не используется. Для остановки работы печи во время приготовления пищи нужно нажать на кнопку открывания дверцы или просто открыть дверцу за ручку.

ЧИСТКА И УХОД

1. Перед проведением чистки печь нужно выключить и вынуть вилку из розетки электропитания.
2. Внутреннюю часть печи необходимо держать в чистоте. Если кусочки пищи или разлитые жидкости прилипают к стенкам, их необходимо убирать влажной тканью. Если печь сильно загрязнена, допускается использование мягкого чистящего средства. Следует исключить использование жидкостей для распыления и иных жестких чистящих средств, так как они способны оставлять пятна, полосы на дверце или делать ее окраску менее яркой.
3. Наружные поверхности необходимо очищать влажной тканью. Во избежание повреждения внутренних рабочих частей печи необходимо исключить просачивание воды внутрь вентиляционных отверстий.
4. Необходимо часто протирать обе стороны дверцы и окна, уплотнения дверцы и соседние части влажной тканью для устранения брызг и остатков пищи. Использование абразивных чистящих средств не допускается.
5. Не допускается смачивание панели управления. Панель чистить мягкой влажной тканью. При чистке панели управления дверцу печи нужно держать открытой во избежание непреднамеренного включения.
6. Если пар собирается внутри или вокруг наружной части дверцы печи, протереть эти места мягкой тканью. Такое скопление пара может происходить, когда микроволновую печь используют в условиях повышенной влажности. Такое явление нормально.
7. Иногда нужно вынимать стеклянный поддон для чистки. Его нужно мыть в теплой мыльной воде или в посудомоечной машине.
8. Роликовое кольцо и дно печи необходимо очищать регулярно во избежание сильного шума при работе. Нижнюю поверхность печи необходимо просто протирать тканью, смоченной в мягком чистящем средстве. Роликовое кольцо поворотной подставки можно мыть в теплой мыльной воде или в посудомоечной машине. При снятии роликового кольца с поверхности низа внутренней части печи для чистки следует проверить правильность его последующей установки.
9. Запахи из печи устраняют путем смешивания одной чашки воды с соком и кожурой одного лимона в глубокой миске для микроволновых печей, которая затем ставится в печь в микроволновом режиме на 5 минут. Печь тщательно протереть и высушить мягкой тканью.
10. Когда возникнет необходимость в замене лампочки освещения печи, для проведения замены необходимо обратиться к продавцу устройства.
11. Печь необходимо регулярно чистить, а любые остатки пищи устранять. Невыполнение требований по поддержанию печи в чистоте способно привести к ухудшению состояния поверхности, которое в свою очередь способно неблагоприятно сказаться на сроке службы устройства и создать потенциально опасную ситуацию.
12. Пожалуйста, не выбрасывайте этот прибор в отечественной урну; он должен быть расположен в центр конкретного захоронения, предоставляемый муниципалитеты.

Торговая марка	Candy
Тип продукции	Микроволновая печь
Модель	CMW 2070S
Производитель	"КандиХуверГрупС.р.л. ", ВиаКомолли 16, 20861Бругерио (Монца и Брианца), Италия
Фабрика	«ГуандунГаланзМайкровойвЭлектрикалАпплаинсезМануфекчурингКо.,Лтд .» №3КсингпуАвенюИстРоад, МаксинИндастриалЗон,ХуангпуТаун, ЧжуншаньСити,Гуандун, Китай
ИмпортерипоставщикнатерриторииРФ	ООО «КандиСНГ» Юр. адрес: 115419, Москва, 2-йРощинскийпр-д, д.8; Факт.адрес: 125167, Москва, Ленинградский проспект, 37 Тел.: +7 499 110 22 11; candymow@candy.ru; www.candy.ru
Сертификат соответствия	Это изделие соответствует техническим регламентам Таможенного Союза: - ТР ТС 004/2011 «О соответствии низковольтного оборудования» - ТР ТС 020/2011 «Электромагнитная совместимость технических средств» Изделие сертифицировано в органе по сертификации продукции и услуг «РОСТЕСТ-МОСКВА», г. Москва. Получить копию сертификата соответствия Вы можете получить в магазине, где приобретался товар или написав запрос на электронную почту candymow@candy.ru
	
Орган по сертификации	РОСС RU.0001.10АЯ46 «Ростест-Москва» РФ, г. Москва
Срок гарантии	12 месяцев на территории Российской Федерации и Республики Казахстан 24 месяца на территории Республики Беларусь
Срок службы	7 лет
Серийный номер (S/N)	Серийный номер продукта состоит из 16 цифр (пример 390004851249XXX), где: 1. Первые 8 цифр составляют заводской код продукта. 2. Следующие 4 цифры обозначают дату производства. Например, 1249, где: 12 – год производства (2012 год), 49 – 49-ая неделя года 3. Последние четыре цифры – номер продукта в партии.
Серийный номер указан на этикетке, расположенной на задней части Вашего прибора.	

Утилизация!

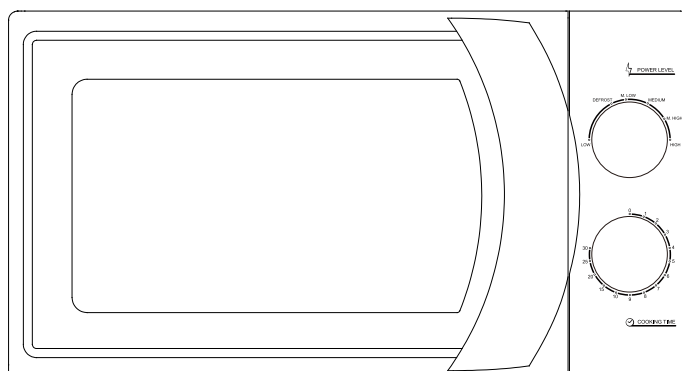
- Упаковочные материалы: соблюдайте местные нормы по утилизации упаковочных материалов.
- Ваша микроволновая печь не должна выбрасываться вместе с бытовым мусором. Выведенный из строя прибор должен утилизироваться в соответствии с местными нормами
- Для уточнения правил утилизации просим Вас обратиться в специализированную государственную организацию или магазин.

Производитель не берет на себя ответственность за ошибки в данной инструкции, возникшие в процессе печати. Производитель имеет право вносить в свои изделия изменения, которые он сочтет полезными для своих изделий, сохраняя при этом основные характеристики.

Вся представленная в инструкции информация, касающаяся комплектации, технических характеристик, функций, цветовых сочетаний и т.д. носит информационный характер и ни при каких условиях не является публичной офертой. Изготовитель не устанавливает условия и положения покупки, они должны соответствовать требованиям регионального и/или национального законодательства страны продажи товаров.

Сервисное обслуживание

Обслуживанием бытовой техники занимаются авторизованные сервисные центры. Список сервисных центров можно найти на сайте www.candy.ru в разделе «Поддержка» или уточнить по телефону 8-800-707-0204



МІКРОХВИЛЬОВА ПІЧ

Модель: CMW 2070S

Інструкція з експлуатації

Будь ласка, уважно прочитайте ці вказівки перед встановленням та експлуатацією духовки. Запишіть у проміжку під номером SERIAL NO. знайдіть на табличці на печі та зберігайте цю інформацію для подальшого використання.

ДЕКЛАРАЦІЯ ВІДПОВІДАЛЬНОСТІ



Розміщуючи позначку на цьому виробі, ми підтверджуємо відповідність усім відповідним європейським вимогам щодо безпеки, здоров'я та довкілля, які застосовуються в законодавстві щодо цього продукту.

УПРАВЛІННЯ ВІДХОДАМИ ТА ОХОРОНА ЕКОЛОГІЇ



Цей прилад має маркування відповідно до Європейської Директиви 2012/19 / ЄС щодо електричних та електронних приладів (WEEE). WEEE містить як забруднюючі речовини (які можуть негативно впливати на навколишнє середовище), так і базові елементи (які можуть бути використані повторно.) Важливо, щоб WEEE проходили специфічні процедури для правильного видалення та утилізації забруднюючих речовин та відновлення всіх матеріалів.

Люди можуть відігравати важливу роль у забезпеченні того, щоб WEEE не стало екологічною проблемою; важливо дотримуватися кількох основних правил::

- WEEE не слід поводитися з побутовими відходами;
- WEEE слід перевозити на спеціальні місця збору, якими управляє міська рада або зареєстрована компанія.

У багатьох країнах вітчизняні колекції можуть бути доступні для великих WEEE. Купуючи новий прилад, старий можна повернути продавцю, який повинен прийняти його безкоштовно як одноразовий, доки пристрій має аналогічний тип і виконує ті ж функції, що і придбаний прилад.

ЗАСТЕРЕЖЕННЯ ЩОДО ТОГО, ЯК МОЖНА УНИКНУТИ НАДМІРНОГО ВПЛИВУ МІКРОХВИЛЬОВОГО ВИПРОМІНЮВАННЯ

1. Не намагайтеся користуватися мікрохвильовою піччю із відчиненими дверцятами, оскільки за таких умов Ви ризикуєте зазнати шкідливого впливу мікрохвильового випромінювання. Стежте за тим, щоб не пошкодити й не зіпсувати внутрішні захисні замки;
2. Не вставляйте ніяких предметів між дверцятами печі й передньою панеллю. Не допускайте накопичення залишків їжі чи м'яких засобів на ущільнювачах;
3. Не користуйтеся піччю, якщо вона пошкоджена. Надзвичайно важливо щоб дверцята зачинялись належним чином і не були пошкоджені:
 - а) Дверцята (рама)
 - б) Петлі та засувки (зламані або ослаблені)
 - в) Ущільнювачі на дверцятах або герметизуючі поверхні
4. Ремонт мікрохвильової печі має здійснюватися виключно кваліфікованими фахівцями.

ЗМІСТ

ВАЖЛИВІ ПОРАДИ ЩОДО БЕЗПЕКИ.....	3
СПЕЦИФІКАЦІЯ.....	4
УСТАНОВКА	4
ЗОВНІШНІ РАДІОПЕРЕШКОДИ.....	4
ПРИНЦИПИ ПРИГОТУВАННЯ У МІКРОХВИЛЬОВІЙ ПЕЧІ	4
ІНСТРУКЦІЇ ЩОДО ЗАЗЕМЛЕННЯ.....	5
ПЕРЕД ТИМ, ЯК ТЕЛЕФОНУВАТИ ДО СЕРВІСНОЇ СЛУЖБИ	5
ПОСУД, ЩО МОЖНА ВИКОРИСТОВУВАТИ У МІКРОХВИЛЬОВІЙ ПЕЧІ	5
НАЙМЕНУВАННЯ ЧАСТИН	6
ПАНЕЛЬ УПРАВЛІННЯ	7
ЕКСПЛУАТАЦІЯ.....	7
ОЧИЩЕННЯ ТА ДОГЛЯД.....	8

ВАЖЛИВІ ПОРАДИ ЩОДО БЕЗПЕКИ

Під час використання електричного приладу необхідно дотримуватися основних запобіжних заходів, а саме:

УВАГА: Для зниження ризику виникнення пожежі, ураження електричним струмом, травмування або впливу надмірної мікрохвильової енергії печі під час використання приладу:

1. Уважно прочитайте всі поради перед використанням приладу.
2. Використовуйте це прилад виключно за призначенням, як вказано у цій інструкції. Не використовуйте агресивні хімікати чи пари у цьому приладі. Даний тип печі призначений для розігрівання, приготування або сушіння продуктів. Вона не призначена для промислового та лабораторного використання.
3. Не вмикайте піч коли вона порожня.
4. Не користуйтеся піччю якщо шнур живлення або вилка пошкоджені, якщо вона працює неналежними чином, наявні пошкодження або піч падала. Якщо шнур живлення пошкоджений, він повинен бути замінений виробником, його агентом з обслуговування або аналогічним кваліфікованим персоналом, щоб уникнути небезпеки.
5. **УВАГА:** діти можуть самостійно користуватись піччю лише у тому разі, якщо вони отримали чіткі вказівки щодо правильного використання та можливих небезпек, якщо піччю користуватись неналежним чином.
6. Для того, щоб зменшити ризик займання у мікрохвильовій шафі приладу:
 - Щоб попередити займання, завжди спостерігайте за їжею, яку ви розігріваєте у пластиковому або паперовому контейнері.
 - Видаляйте перекручені дротові зав'язки і металеві ручки з паперових або пластикових контейнерів / пакетів перед тим, як помістити їх в піч.
 - Якщо ви бачите дим, вимкніть або відключіть прилад від мережі і тримайте дверцята закритими, щоб полум'я згасло.
 - Не використовуйте порожнину печі з метою зберігання - не зберігайте паперові речі, посуд та продукти всередині печі.
7. **УВАГА:** Рідини та інші продукти не повинні нагріватися в герметичних контейнерах, оскільки вони можуть вибухнути.
8. Мікрохвильове нагрівання напоїв може призвести до затримки кипіння та розбризкування, тому необхідно бути обережним під час використання контейнера.
9. Не використовуйте мікрохвильову піч для смаження продуктів. Гаряча олія може пошкодити частини печі та призвести до опіку шкіри.
10. Не слід розігрівати яйця в шкаралупі і цілі зварені яйця в мікрохвильовій печі, оскільки вони можуть вибухнути, навіть після завершення нагрівання в печі.
11. Продукти із товстою шкіркою, наприклад картопля, крупні шматки, яблука, слід нарізати шматочками перед приготуванням.
12. Кухонний посуд може сильно нагріватися шляхом передачі тепла від приготованих продуктів, тож рекомендується використовувати кухонні рукавички.
13. Перевіряйте посуд на відповідність для використання у мікрохвильовій печі.
14. **УВАГА:** для осіб, які не є спеціалістами, проводити будь-яке обслуговування або ремонт, пов'язані зі зняттям кришки, яка забезпечує захист від впливу мікрохвильової енергії - небезпечно.
15. Цей прилад належить до 2 групи класу Б електронного обладнання для промислових, наукових та медичних цілей. Визначення 2 групи електронного обладнання для промислових, наукових та медичних цілей, до якої входить обладнання, в якому радіочастотна енергія навмисно створюється та / або використовується у вигляді електромагнітного випромінювання для обробки матеріалу, а також обладнання, в якому створюється іскріння. До класу Б належать прилади, що призначені для використання у житлових приміщеннях та в установах, безпосередньо підключених до мережі низьковольтних мереж електропостачання, яка постачає будинки, що використовуються для побутових цілей.
16. Цей прилад не призначений для використання особами (включно із дітьми) з обмеженими фізичними, сенсорними або розумовими здібностями або особами з відсутністю досвіду та знань, якщо вони знаходяться під наглядом, або були інструктовані особою, що відповідає за їх безпеку, щодо використання приладу безпечним способом і розуміють потенційну небезпеку.
17. За дітьми слід спостерігати щоб вони не бавились з приладом.

СПЕЦИФІКАЦІЇ

Споживання енергії:	230 В-240 В~/50 Гц, 1200 Вт (Мікрохвилі)
Номинальна вихідна потужність:	700 Вт
Робоча частота:	2450 МГц
Зовнішні розміри:	262 мм (В) x452 мм (Ш) x 335 мм (Г)
Розміри камери мікрохвильової печі:	198 мм (В) x315 мм (Ш) x 297 мм (Г)
Внутрішній об'єм мікрохвильової печі:	20 л
Однорідність приготування їжі:	Система, що обертається
Вага нетто:	Приблизно 10.5 кг

УСТАНОВКА

1. Переконайтесь, що всі пакувальні матеріали було вилучено із середини печі та із дверцят.
2. **ПОПЕРЕДЖЕННЯ:** перевірте піч на предмет пошкоджень, наприклад такі як зміщення дверцят, наявність вм'ятин, пошкоджені дверні ущільнення та герметизуючі поверхні, пошкоджені або послаблені петлі дверцят, пошкодженні кріплення та засувки дверцят або пошкодження наявні всередині мікрохвильової шафи. Якщо є які-небудь пошкодження, не використовуйте піч та зверніться до кваліфікованого фахівця.
3. Не встановлюйте піч у теплом, мокрому або надмірно вологому місці, та поблизу горючих матеріалів.
4. Для належної роботи печі необхідна наявність гарної вентиляції. Залиште 20 см над піччю, 10 см від задньої стінки, та по 5 см з кожної сторони. Не перекривайте та не блокуйте жодні із отворів на приладі. Не знімайте ніжки.
5. Не користуйтеся піччю без скляної підставки, роликів кільця та поворотного пристрою якщо вони не на своїх місцях.
6. Переконайтесь, що шнур електроживлення не пошкоджений та не проходить під піччю або над гарячою поверхнею із гострими краями.
7. Розетка має бути у межах досяжності так, щоб вилку можна було із легкістю вимкнути у разі надзвичайного випадку.
8. Не користуйтеся піччю поза межами приміщення.

ЗОВНІШНІ РАДІОПЕРЕШКОДИ

Робота мікрохвильової печі може спричинити появу перешкод у роботі вашого радіо, ТБ, та схожих пристроях. Перешкоди можливо зменшити або усунути наступним чином:

1. Очистіть дверцята та поверхню ущільнювачів мікрохвильової печі.
2. Змініть положення антени радіоприймача або телевізора.
3. Перемістіть мікрохвильову піч у інше місце відносно приймача.
4. Перемістіть мікрохвильову піч подалі від приймача.
5. Підключіть мікрохвильову піч в іншу розетку щоб піч та приймач живились від різних мереж.

ПРИНЦИПИ ПРИГОТУВАННЯ У МІКРОХВИЛЬОВІЙ ПЕЧІ

1. Обережно поміщайте продукти у піч. Товсті шматки розташовуйте зверху страви.
2. Слідкуйте за часом приготування. Готуйте протягом найменшого зазначеного часу та збільшуйте його за необхідності. Якщо сильно перетримати їжу, то вона може задимитися або загорітися.
3. Накривайте їжу під час приготування. Кришка попереджує розбрикування та допоможе страві приготуватися рівномірно.
4. Перевертайте їжу під час приготування у мікрохвильовій печі, це допоможе приготувати такі продукти як курча та гамбургер швидше. Крупні шматки, наприклад смажене м'ясо, слід перевертати під час приготування хоча б раз.

5. Час від часу перемішуйте страви, наприклад фрикадельки, від низу до верху та від центру

до боків.

ІНСТРУКЦІЇ ЩОДО ЗАЗЕМЛЕННЯ

Мікрохвильова піч повинна бути заземлена. Кабель живлення та вилка мікрохвильової печі обладнані проводом заземлення. Вилку мікрохвильовій печі слід вмикати тільки в правильно встановлену і заземлену розетку. У випадку електричного замикання заземлення скорочує ризик ураження електричним струмом, за допомогою відвідного дроту для електричного струму. Рекомендується забезпечити окрему лінію лише для печі. Використання високої напруги може призвести до пожежі або іншого нещасного випадку, що може спричинити пошкодження печі.

УВАГА!

Неправильне встановлення заземлення може призвести до ураження струмом.

Примітки:

1. Якщо у вас є будь-які питання щодо заземлення або електричного підключення, проконсультуйтеся із кваліфікованим електриком або технічним спеціалістом.
2. Ні виробник, ні дилер не несуть відповідальності за пошкодження печі або завдані травми отримані в результаті недотримання процедури електричного встановлення.

Провід в цій кабельній магістралі має колір у відповідності з наступним кодом:

Зелений і жовтий = ЗЕМЛЯ

Синій = НЕЙТРАЛЬ

Коричневий = ФАЗА

ПЕРЕД ТИМ, ЯК ТЕЛЕФОНУВАТИ ДО СЕРВІСНОЇ СЛУЖБИ

Якщо мікрохвильова піч не працює:

1. Перевірте чи мікрохвильова піч увімкнена у розетку належним чином. Якщо ні, то витягніть вилку із розетки, зачекайте 10 секунд, а тоді знову увімкніть вилку у розетку належним чином.
2. Перевірте запобіжник та головний вимикач на предмет пошкоджень та несправностей. Якщо ці пристрої працюють належним чином, перевірте розетку за допомогою
- іншого пристрою.
3. Переконайтесь що панель управління правильно налаштована та встановлений правильний час.
4. Переконайтесь, що дверцята добре зачиняються із використанням системи блокування. Інакше мікрохвильова енергія не проникатиме у піч.

ЯКЩО ЖОДЕН ІЗ ВИЩЕПЕРЕП'ЯКОВАНИХ ПУНКТИВ НЕ ПІДХОДИТЬ, ТО ЗВ'ЯЖІТЬСЯ ІЗ КВАЛІФІКОВАНИМ ФАХІВЦЕМ. НЕ НАМАГАЙТЕСЬ НАЛАШТУВАТИ АБО ВІДРЕМОНТУВАТИ МІКРОХВИЛЬОВУ ПІЧ САМОСТІЙНО.

СЕРІЙНИЙ НОМЕР ВИРОБУ. Де його знайти?

При зверненні до центру сервісного обслуговування необхідно вказати кодовий номер виробу та його серійний номер (16-значний код, який починається з цифри 3). Цей код можна знайти в гарантійному талоні або в паспортній табличці, яка прикріплена до виробу.

Це дозволить уникнути марних викликів спеціалістів, і (що дуже важливо) дозволить вам заощадити гроші.

ПОСУД, ЩО МОЖНА ВИКОРИСТОВУВАТИ У МІКРОХВИЛЬОВІЙ ПЕЧІ

1. Ідеальним посудом для мікрохвильової печі є той, що пропускає мікрохвилі та дозволяє енергії проникнути крізь контейнер та нагріти їжу.
2. Мікрохвилі не проникають крізь метал, тож металевий посуд або посуд із металевим напиленням не слід використовувати у мікрохвильовій печі.
3. Під час приготування не використовуйте посуд із переробленого паперу, оскільки там можуть міститись металеві частинки що можуть призвести до іскріння та/або

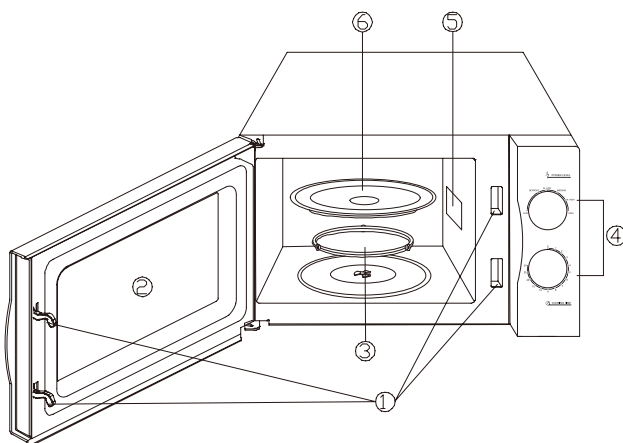
- займання.
4. Рекомендується використовувати посуд круглої/прямокутної форми а не квадратної, оскільки їжа у кутиках зазвичай пересмажується.
 5. Тонкі смужки алюмінієвої фольги можна

використовувати для того, щоб запобігти пересмажуванню шматків, що виступають. Але будьте обережними, не використовуйте її занадто багато та тримайте на відстані в 1 дюйм (2,5 см) між фольгою та стінками мікрохвильової шафки.

Нижче наведений список - це загальний посібник, який допоможе вам вибрати правильний посуд.

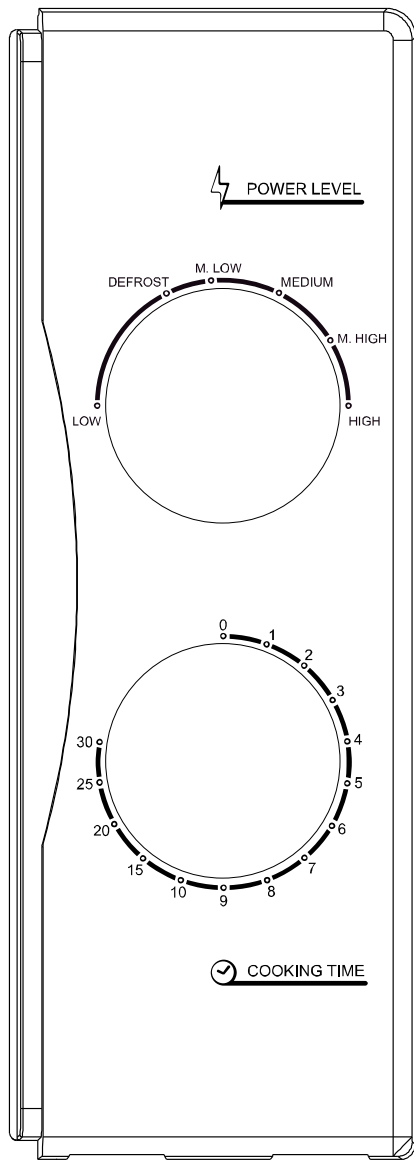
Посуд	Мікрохвилі
Термостійке скло	Так
Не термостійке скло	Ні
Термостійка кераміка	Так
Пластиковий посуд, що стійкий до мікрохвиль	Так
Кухонний папір	Так
Металевий посуд	Ні
Металеві стійки	Ні
Алюмінієва фольга та контейнери із фольги	Ні

НАЙМЕНУВАННЯ ЧАСТИН



1. Система блокування дверцят
2. Віконце мікрохвильової печі
3. Роликове кільце
4. Панель управління
5. Хвилевід
6. Скляна ідставка

ПАНЕЛЬ УПР АВЛІНЯ



На панелі управління розташовані два регулятори. Один -ручка керування таймеру, а інший - перемикач потужності / режимів.

ПЕРЕМИКАЧ ПОТУЖНОСТІ\РЕЖИМІВ

Цей перемикач використовується для вибору рівня потужності печі. Це перший етап процесу приготування їжі в мікрохвильовій печі.

РУЧКА КЕРУВАННЯ ТАЙМЕРУ

Дозволяє легко встановити час приготування їжі до 30 хвилин.

ПРИГОТУВАННЯ У РЕЖИМІ МІКРОХВИЛЬ

Для приготування їжі у режимі мікрохвиль є шість рівнів потужності. Це дозволяє вам обрати оптимальну потужність для приготування певного виду їжі.

Повертаючи цей регулятор за годинниковою стрілкою рівень потужності збільшується. Наявні наступні рівні потужності:

	Вихідна потужність	Опис
1	100%	Hight - ВИСОКА
2	88%	M.High - СЕРЕДНЬО - ВИСОКА
3	73%	Med - СЕРЕДНЯ
4	52%	M.Low - СЕРЕДНЬО - НИЗЬКА
5	42%	Defrost- Розморожування
6	20%	Low-НИЗЬКА

ЕКСПЛУАТАЦІЯ

Щоб обрати програму приготування:

1. Помістіть їжу в мікрохвильову піч і закрийте дверцята печі.
2. Встановіть потрібний рівень потужності або режим приготування за допомогою перемикача потужності.
3. Встановіть час приготування їжі за допомогою ручки керування таймера

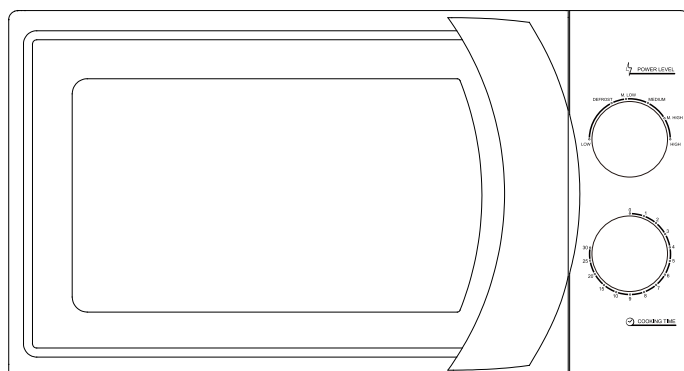
ПРИМІТКА:

Після того, як ви повернули ручку керування таймеру починається приготування їжі. Якщо час приготування становить менше 2

хвилин, поверніть ручку таймера за відмітку 2-х хвилин, а потім поверніть її в положення, що відповідає потрібному часу приготування їжі. **УВАГА: ОБОВ'ЯЗКОВО ПОВЕРНІТЬ РУЧКУ ТАЙМЕР А В НУЛЬОВЕ ПОЛОЖЕННЯ**, якщо виймаєте їжу з печі до закінчення проміжку часу, заданого таймером, або якщо мікрохвильова піч не використовується. Для вимкнення печі під час приготування їжі натисніть кнопку відчинення дверцят, або відкрийте двері за допомогою ручки.

ОЧИЩЕННЯ ТА ДОГЛЯД

1. Перед очищенням вимкніть піч та витягніть вилку із розетки.
2. Підтримуйте чистоту внутрішніх поверхонь печі. Витріть із стінок залишки їжі або рідину, що розлилась, вологою ганчіркою. Якщо піч сильно забруднена то можна використовувати м'які миючі засоби. Уникайте використання спрею або жорстких миючих засобів, оскільки вони можуть залишати плями, смуги або ж подряпати поверхню дверцят.
3. Зовнішні поверхні слід очищати вологою ганчіркою. Для того, щоб уникнути пошкодження робочих частин всередині печі, слідкуйте щоб вода не потрапляла у вентиляційні отвори.
4. Часто витирайте вологою ганчіркою дверцята та віконце з обох сторін, ущільнювачі на дверцятах та суміжні частини, щоб очистити їх від бризків та бруду.
5. Слідкуйте за тим, щоб панель управління не була вологою. Очищайте її м'якою злегка вологою тканиною. Під час очищення контрольної панелі, дверцята печі слід відчинити, щоб уникнути випадкового вмикання.
6. Якщо пара накопичується всередині або навколо зовнішньої частини дверцят печі, протріть її м'якою ганчіркою. Так може статися, коли мікрохвильова піч працює в умовах підвищеної вологості. І це нормально.
7. Скляну підставку час від часу слід очищати. Помийте підставку у теплій мильній воді або у посудомийній машині.
8. Роликове кільце та нижню стінку печі слід регулярно очищати щоб уникнути надмірного шуму. Просто протріть нижню стінку духовки м'яким миючим засобом. Роликове кільце можна помити у мильній воді або в посудомийній машині. Знімаючи роликове кільце з нижньої частини печі для чищення, обов'язково прослідкуйте за тим, щоб потім воно було встановлене у належному положенні.
9. Щоб видалити запахи із печі, змішайте чашку води із соком та м'якоттю лимону у глибокій посудині, що підходить для використання у мікрохвильовій печі, та розігрівайте її у печі впродовж 5 хвилин. Потім ретельно витріть м'якою тканиною.
10. Якщо вам необхідно замінити у печі лампочку, будь ласка, проконсультуйтеся із фахівцем щодо її заміни.
11. Мікрохвильову піч слід регулярно очищати та видаляти залишки їжі. У випадку, якщо ви не підтримуєте чистоту печі, це може призвести до псування поверхонь, що в свою чергу може негативним чином вплинути на термін служби приладу та спричинити небезпечну ситуацію.
12. Будь ласка, не утилізуйте цей прилад як побутове сміття, його слід здати до спеціального муніципального центру утилізації відходів.



MIKROVALOVNA PEČICA

Model: CMW 2070S

Navodila za uporabo

Prosimo, da pred prvo uporabo mikrovalovne pečice pozorno preberete ta navodila ter da jih shranite, saj jih boste še potrebovali.

IZJAVA O SKLADNOSTI



Z oznako na tem izdelku potrjujemo skladnost z vsemi evropskimi varnostnimi, zdravstvenimi in okoljskimi zahtevami, ki veljajo v zakonodaji za ta izdelek

UPRAVLJANJE ODPADKOV IN ZAŠČITA OKOLJA



Ta naprava je označena v skladu z evropsko direktivo 2012/19 / EU o električnih in elektronskih napravah (OEEO). OEEO vsebuje tako onesnaževalne snovi (ki lahko negativno vplivajo na okolje) kot osnovne elemente (ki jih je mogoče ponovno uporabiti.) Pomembno je, da OEEO opravi posebne postopke za pravilno odstranjevanje in odstranjevanje onesnaževal ter predelavo vseh materialov. Posamezniki lahko igrajo pomembno vlogo pri zagotavljanju, da OEEO ne postane okoljski problem; nujno je upoštevati nekaj osnovnih pravil:

- OEEO se ne sme obravnavati kot gospodinjski odpadki;
- OEEO je treba odpeljati na namenska območja zbiranja, ki jih upravlja mestni svet ali registrirano podjetje.

V mnogih državah so domače zbirke morda na voljo za velike OEEO. Ko kupite nov aparat, ga lahko stari vrnete prodajalcu, ki ga mora brezplačno sprejeti kot enkratno, če je aparat enakovredne vrste in ima enake funkcije kot kupljeni aparat.

KAKO SE IZOGNITI MOREBITNEMU IZPOSTAVLJANJU PRETIRANI MIKROVALOVNI ENERGIJI

Neupoštevanje spodnjih navodil bi lahko povzročilo škodljivo izpostavljanje mikrovalovni energiji.

1. Nikoli ne poskušajte vklopiti mikrovalovne pečice, če so vrata odprta. Nikoli ne poskušajte spreminjati varnostne zapuhe na vratih ali potiskati razne predmete v odprtine za varnostne zapuhe.
2. Pazite, da ne bi med vrata in ohišje priprli kakšnega predmeta. Redno čistite pečico, da se ostanki hrane ali čistil ne bi nabirali na tesnilih. Vrata in tesnila morajo biti vedno čista; redno po vsaki uporabi jih obrišite z vlažno krpo, nato pa še z mehko suho krpo.
3. Poškodovane mikrovalovne pečice ne smete uporabljati. Takoj se obrnite na pooblaščen servis. Zelo pomembno je, da so nepoškodovani naslednji deli:
 - a) Vrata, tesnila vrat in tesnilne površine
 - b) Tečaji na vratih (zlomljeni, zrahljani)
 - c) Priključni električni kabel
4. Popravila pečice prepustite samo ustrezno usposobljenim strokovnjakom pooblaščenega servisa.

VSEBINA

Varnostni ukrepi	3
Soecifik	3
Namestitev in priključitev mikrovalovne pečice	4
Radijske motnje	4
Kuhanje v mikrovalovni pečici	4
Navodila za ozemljitev	4
Preden pokličete serviserja	5
Ustrezna posoda	5
Poimenovanje delov in opreme	6
Stikalna plošča	6
Delovanje mikrovalovne pečice	7
Čiščenje in vzdrževanje	7

Varnostni ukrepi

OPOZORILO: Da bi se izognili tveganju za opekline, električni udar, poškodbo oseb ali pretiranemu izpostavljanju mikrovalovni energiji:

1. Pred uporabo pozorno preberite navodila za uporabo. Predvsem upoštevajte vsa navodila za preprečevanje izpostavljanja mikrovalovni energiji.
2. Uporabljajte mikrovalovno pečico samo v namene, navedene v teh navodilih. Ta mikrovalovna pečica je izrecno namenjena segrevanju, kuhanju in sušenju živil. Ni namenjena industrijski uporabi ali uporabi v laboratorijih.
3. Ne vklapljajte prazne mikrovalovne pečice.
4. Ne uporabljajte pečice, če je priključni električni kabel poškodovan. V tem primeru odnesite pečico na pooblaščen servis, kjer ga bodo zamenjali. Nestrokovna zamenjava pomeni veliko tveganje za uporabnika!
5. **OPOZORILO!** Otroke med uporabo mikrovalovne pečice nadzirajte. Mikrovalovno pečico smejo uporabljati le osebe, ki so ustrezno seznanjene z načinom uporabe in ki razumejo tveganje, ki izhaja iz nepravilne uporabe.
6. Da bi se izognili ognju v notranjosti mikrovalovne pečice:
 - Pri segrevanju živil v plastični ali papirnati embalaži redno preverjajte stanje v notranjosti pečice, da se embalaža ne bi vnela.
 - Pred postavljanjem živil v vrečkah v pečico vedno najprej odstranite žice, s katerimi so te včasih zaprte.
 - če opazite dim, takoj izklopite pečico ali potegnite vtikač iz vtičnice. Vrata pustite zaprta, da morebitni plamen ugasne.
 - Ne uporabljajte pečice za shranjevanje. Vanjo ne odlagajte papirja, kuhinjskih pripomočkov ali živil, kadar je ne uporabljate.
7. Tekočih in drugih živil ne segrevajte v tesno zaprtih posodah, saj bi lahko eksplodirala.
8. Pri segrevanju tekočin v mikrovalovni pečici lahko pride do pojava zapoznelega vretja, zato pazite, ko prijemate posodo.
9. Ne cvrite na olju v mikrovalovni pečici. Vroče olje bi lahko poškodovalo dele pečice in posodo, lahko pa bi vas tudi poškodovalo.
10. Jajc v lupini ali trdo kuhanih jajc nikoli ne kuhate oziroma segrevajte v mikrovalovni pečici, saj bi lahko po segrevanju z mikrovalovi eksplodirala, tudi po koncu segrevanja!
11. Živila s trdo kožo ali lupino prebodite (npr. krompir, jabolka, kostanj).
12. Vsebino otroških stekleničk po segrevanju dobro premešajte, da se temperatura enakomerno porazdeli. Pred hranjenjem otroka preverite temperaturo jedi.
13. Posoda se lahko segreje zaradi vročega živila, ki ga vsebuje - bodite previdni!
14. Pred uporabo posode za kuhanje v mikrovalovni pečici se prepričajte, da je posoda primerna.
15. **OPOZORILO!** Servisiranje mikrovalovne pečice in vzdrževalna dela, pri katerih je potrebno odstraniti pokrov, ki ščiti pred mikrovalovno energijo, smejo opravljati le ustrezno usposobljeni strokovnjaki. Nestrokovna popravila pomenijo tveganje.
16. Izdelek je razvrščen v skupino 2, razred B (oprema ISM - industrijska, znanstvena in medicinska oprema) in je primerna za uporabo v gospodinjstvih ter za priključitev na hišna električna omrežja.
17. Mikrovalovno pečico smejo uporabljati samo odrasle osebe, ki so sposobne dojeti navodila za uporabo in imajo dovolj izkušenj. Druge osebe in otroci smejo uporabljati mikrovalovno pečico samo pod nadzorom osebe, ki je odgovorna za njihovo varnost.
18. Pazite na otroke, da se ne bi igrali s pečico!

Soecifik

Priključna napetost in frekvenca :	230 V-240 V /50 Hz (mikrovalovi: 1200 W)
Nominalna izhodna moč :	700 W
Frekvenca mikrovalov :	2450 MHz
Zunanje mere (VxšxG):	262 x 452 x 335 mm
Mere notranjosti (VxšxG):	198 x 315 x 297 mm
Prostornina pečice:	20 litrov
Enotnost kuhanja:	Vrtljivi sistem
Neto teža:	pribl. 10.5kg

Namestitev in priključitev mikrovalovne pečice

1. Odstranite embalažo iz notranjosti pečice.
2. Prepričajte se, da mikrovalovna pečica ni poškodovana (npr. ukrivljena ali slabo prilegajoča se vrata, poškodovana tesnila, poškodovan tečaj na vratih, poškodbe vrat ali notranjosti pečice). V takih primerih mikrovalovne pečice ne smete priključiti, ampak se takoj obrnite na proizvajalca.
3. Ta mikrovalovna pečica mora biti nameščena na ravno, stabilno površino, da zadrži svojo težo in najtežjo hrano, ki jo je mogoče kuhati v pečici.
4. Mikrovalovna pečica ne sme biti izpostavljena vročini, pari ali visoki vsebnosti vlage v zraku. Ne sme stati v bližini vnetljivih snovi.
5. Za brezhibno delovanje mikrovalovne pečice je potrebno zadostno kroženje zraka. Nad mikrovalovno pečico mora biti vsaj 20 cm praznega prostora, 10 cm za njo ter po 5 cm na vsaki strani. Odprtine na ohišju morajo biti vedno nezakrite. Ne odstranjujte nog!
6. Pečice ne uporabljajte brez steklene vrtljive plošče in nosilca.
7. Prepričajte se, da je priključni električni kabel nepoškodovan ter da je napeljan tako, da ne more priti v stik z ostrimi predmeti ter da ni izpostavljen visoki temperaturi.
8. Vtikač mora biti dostopen, tako da lahko mikrovalovno pečico v vsakem trenutku izključite iz električnega omrežja.
9. Mikrovalovne pečice ne uporabljajte na prostem.

Radijske motnje

Delovanje mikrovalovne pečice lahko povzroči motnje pri sprejemu radijskega ali televizijskega sprejemnika in podobnih naprav.

Ob pojavu motenj lahko te zmanjšate ali odpravite na naslednji način:

1. Očistite vrata in tesnilne površine na pečici.
2. Drugam usmerite sprejemno anteno na radijskem ali televizijskem sprejemniku.
3. Prestavite mikrovalovno pečico dlje od sprejemnika.
4. Priključite mikrovalovno pečico na drugo vtičnico, tako da sprejemnik in pečica nista priključena na isto vejo omrežja.

Kuhanje v mikrovalovni pečici

1. Dobro razporedite živilo - najdebelejši deli naj bodo ob robu vrtljive plošče.
2. Upoštevajte priporočeni čas kuhanja; najprej izberite najkrajši priporočeni čas in ga po potrebi podaljšajte. Če živilo predolgo kuhate, se lahko presuši ali celo vžge.
3. Kuhajte v pokriti posodi; pokrov prepričajte, da bi se pečica umazala, ter pripomore k bolj enakomernemu kuhanju.
4. Med kuhanjem živila enkrat obrnite, da pospešite kuhanje - npr. piščanca in hamburgerjev. Večje kose, npr. pečenko, morate obrniti vsaj enkrat.
5. Med kuhanjem prerazporedite kose, npr. mesne kroglice: tiste, ki so bile na sredini vrtljivega krožnika, premestite na rob, tiste, ki so bile zgoraj, premestite na dno.

Navodila za ozemljitev

Mikrovalovna pečica mora biti ozemljena. Opremljena je s priključnim električnim kablom z ozemljenim vtičnikom, ki mora biti vključen v pravilno vgrajeno in ozemljeno vtičnico na zidu. V primeru kratkega stika ozemljitev zmanjša tveganje za električni udar, saj omogoči odvajanje električnega toka. Priporočamo, da je mikrovalovna pečica priključena samostojno. Priključitev na previsoko napetost je nevarna in bi lahko povzročila vžig ali poškodovala pečico.

OPOZORILO! Nepravilna ozemljitev bi lahko povzročila električni udar. Ne priključujte pečice,

dokler niste prepričani o pravilnosti napeljave in ozemljitve!

1. Če imate kakršnokoli vprašanje v zvezi z ozemljitvijo električnih aparatov, prosimo, da se posvetujete s strokovnjakom.
2. Proizvajalec in prodajalec ne prevzemata odgovornosti za poškodbe ali škodo zaradi neupoštevanja teh navodil.

Žice v kablu so obarvane skladno s spodnjo legendo:

ZELENA IN RUMENA - ozemljitev
MODRA - nula
RJAVA - faza

Preden pokličete serviserja

Če pečica ne deluje, najprej poskušajte s pomočjo spodnjih navodil odpraviti napako:

1. Preverite, da je pečica vklopljena. Če ni, potegnite vtikač iz vtičnice, počakajte 10 sekund in jo nato znova priključite na električno omrežje.
2. Preverite, da ni morda pregorela varovalka. V vtičnico vklopite drugi električni aparat, da se prepričate, da ni napaka v omrežju.
3. Prepričajte se o pravilnosti nastavitvev na stikalni plošči.
4. Preverite, da so vrata pravilno zaprta in da se je zaskočil varnostni sistem za zapiranje vrat. V nasprotnem primeru pečica namreč ne proizvaja mikrovalov.

ŠELE ČE VAM S POMOČJO TEH NASVETOV NI USPELO ODPRAVITI NAPAKE, POKLIČITE POOBLAŠČENI SERVIS. NIKOLI NE POSKUŠAJTE SAMI POPRAVITI MIKROVALOVNE PEČICE!

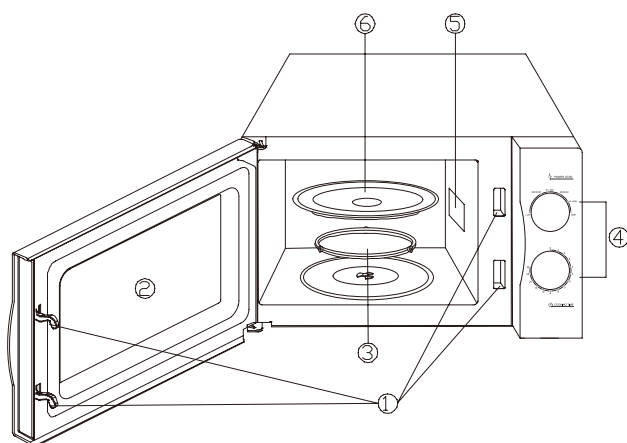
SERIJSKA ŠTEVILKA IZDELKA: Kje jo najdem?
Pomembno je, da servisu sporočite tudi kodo izdelka in serijsko številko (16-mestno številko, ki se začne s številko 3). Ta je navedena na garancijskem listu ali na tablici s podatki na aparatu.
Tako se boste izognili večkratnemu obisku serviserja in s tem tudi nepotrebnim stroškom.

Ustrezna posoda

1. Idealna posoda za kuhanje v mikrovalovni pečici je taka, ki omogoča prodiranje mikrovalov skozi stene posode in segrevanje živil v njej.
 2. Mikrovalovi ne prodirajo skozi kovine, zato kovinske posode ali posode s kovinskimi obrobami ali okrasi niso primerne za uporabo v mikrovalovni pečici.
 3. Ne uporabljajte posod iz recikliranega papirja, saj te lahko vsebujejo delce kovine, ki bi lahko povzročili iskrenje in/ali vžig.
 4. Okrogle/ovalne posode so bolj primerne od oglatih, saj se živilo v kotih kaj hitro prekuha.
 5. V mikrovalovni pečici lahko uporabljate ozke kose alu-folije, s katero lahko preprečite, da bi se tanjši izpostavljeni deli živila prekuhali. Paziti pa morate, da ne uporabite preveč alu-folije ter da je ta od notranjih stranic oddaljena vsaj 2,5 cm.
- S pomočjo spodnje razpredelnice lahko enostavno izberete ustrezno posodo za kuhanje v mikrovalovni pečici:

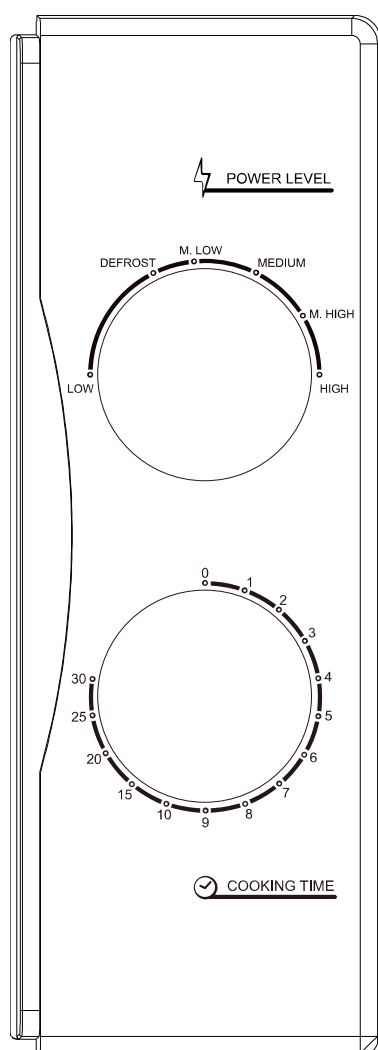
POSODA	MIKROVALOVI
Na vročino odporno steklo	DA
Steklo, ki ni odporno na vročino	NE
Na vročino odporna keramika	DA
Plastična posoda, namenjena uporabi v mikrovalovnih pečicah	DA
Papirnate brisačke, prtički ipd.	DA
Kovinski pekači	NE
Kovinske rešetke	NE
Posode iz alu-folije	NE

Poimenovanje delov in opreme



1. Sistem varnostnega zapaha
2. Stekлено okno
3. Sklop nosilca vrtljive plošče ~
4. Stikalna plošča
5. Usmernik valov
6. Steklena plošča C5J

Stikalna plošča



Stikalna plošča je opremljena z dvema gumboma: gumbom za nastavljanje časa in gumbom za nastavljanje moči.

Gumb za nastavljanje moči/funkcije

S pomočjo tega gumba nastavite stopnjo moči. To je prvi korak pri nastavljanju kuhanja v mikrovalovni pečici.

Gumb za nastavljanje časa

S pomočjo tega gumba nastavite ustrezen čas kuhanja - do 30 minut.

Kuhanje z mikrovalovi

Za kuhanje z mikrovalovi je na voljo pet stopenj, tako da lahko izberete najustreznejšo.

Z obračanjem gumba proti desni višate moč.

Stopnje so naslednje:

	Moč	Opis
1	100%	Največja moč
2	88%	Srednje visoka moč
3	73%	Srednja moč
4	52%	Srednje nizka moč
5	42%	Odtaljevanje
6	20%	Nizka moč

Delovanje mikrovalovne pečice

Ko želite uporabiti mikrovalovno pečico:

1. Postavite živilo v pečico in zaprite vrata.
2. S pomočjo gumba nastavite ustrezen stopnjo moči oziroma zeleno funkcijo.
3. S pomočjo gumba nastavite ustrezen čas.

Opomba: Ko obrnete gumb na ustrezen čas, začne mikrovalovna pečica delovati.

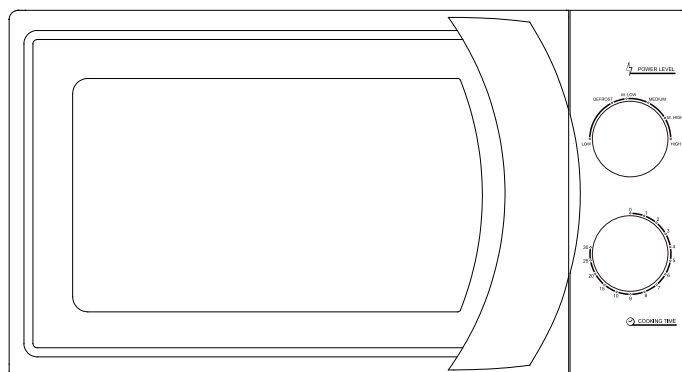
Če želite nastaviti čas, krajši od 2 minuti, najprej obrnite gumb naprej od oznake za 2 minuti ter ga

nato zavrtnite nazaj na ustrezen čas.

OPOZORILO: če predčasno vzamete živilo iz pečice, vedno obrnite gumb za nastavljanje časa nazaj na 0. Gumb naj bo obrnjen na 0 tudi takrat, ko pečice ne uporabljate. Če želite prekiniti delovanje pečice, odprite vrata - pritisnite na gumb za odpiranje vrat oziroma odprite vrata z ročajem.

Čiščenje in vzdrževanje

1. Pred čiščenjem in vzdrževanjem izklopite pečico in potegnite vtikač iz vtičnice.
2. Notranjost pečice mora biti vedno čista. Nečistočo s sten pečice ali razlito tekočino obrišite z vlažno krpo. Če je pečica zelo umazana, lahko uporabite blago čistilo. Ne uporabljajte čistil v razpršilu ali drugih jedkih čistil, saj bi ta lahko poškodovala površine in spremenila njihov videz.
3. Zunanje površine čistite z vlažno krpo. Pazite, da voda ne prodre v odprtine za zračenje, saj bi to lahko poškodovalo dele v notranjosti mikrovalovne pečice.
4. Vrata in steklo obrišite z obeh strani ter očistite tesnilo na vratih in vse sosednje površine, da odstranite morebitno nečistočo. Ne uporabljajte grobih čistil in čistilnih pripomočkov.
5. Stikalna plošča se ne sme zmočiti; čistite jo z mehko, vlažno krpo. Med čiščenjem stikalne plošče naj bodo vrata pečice odprta, da je ne bi slučajno vklopili.
6. Če se na notranji strani ali okoli vrat nabere kondenz zaradi pare, obrišite površino z mehko krpo. To se lahko zgodi, če mikrovalovna pečica deluje ob visoki vsebnosti vlage v zraku, in je normalen pojav.
7. Občasno je potrebno odstraniti stekleno vrtljivo ploščo in jo očistiti - pomijete jo lahko v topli milnici ali v pomivalnem stroju.
8. Nosilec vrtljive plošče in dno pečice redno čistite, da se izognete glasnemu delovanju. Dno preprosto očistite z blagim čistilom. Nosilec lahko pomijete v topli milnici ali v pomivalnem stroju. Nato pravilno namestite nosilec in vrtljivo ploščo nazaj v mikrovalovno pečico.
9. Neprijeten vonj iz pečice lahko odpravite tako, da 5 minut segrevate kozarec vode, v katerega iztisnete sok in dodate lupino ene limone. Nato vse površine obrišite do suhega.
10. Če pregori žarnica, se obrnite na pooblaščen servis, da vam jo zamenjajo.
11. Pečico redno čistite, da se v njej ne nabira nečistoča. Pomanjkljivo čiščenje pečice lahko povzroči okvare površine, ki skrajšajo življenjsko dobo aparata in lahko pomenijo tudi tveganje za vžig.
12. Odsluženega aparata ne zavržite skupaj z odpadki iz gospodinjstva, ampak ga odpeljite na ustrežno zbiralno mesto. Posvetujte se z lokalnimi oblastmi.




KUCHENKA MIKROFALOWA

Model: CMW 2070S

Instrukcja obsługi

Należy uważnie przeczytać niniejszą instrukcję obsługi przed przystąpieniem do instalacji i użytkowania tego urządzenia.

We wskazanym poniżej miejscu należy zapisać NUMER SERYJNY, który znajduje się na tabliczce znamionowej kuchenki i zachować te informacje na przyszłość.

Poprzez umieszczenie CE  oznaczenie na produkcie, oświadczamy, na własną odpowiedzialność, zgodnie z wszystkimi bezpieczeństwami europejskiego, zdrowia i ochrony środowiska określonymi w przepisach dla tego produktu.

NUMER SERYJNY:



Umieszczając znak na tym produkcie, potwierdzamy zgodność ze wszystkimi odpowiednimi europejskimi wymogami w zakresie bezpieczeństwa, zdrowia i ochrony środowiska, które mają zastosowanie w przepisach dotyczących tego produktu.

GOSPODARKA ODPADAMI I OCHRONA ŚRODOWISKA



To urządzenie jest oznakowane zgodnie z europejską dyrektywą 2012/19 / EU dotyczącą urządzeń elektrycznych i elektronicznych (WEEE). WEEE zawiera zarówno substancje zanieczyszczające (które mogą mieć negatywny wpływ na środowisko), jak i elementy podstawowe (które można ponownie wykorzystać). Ważne jest, aby WEEE został poddany specjalnej obróbce w celu prawidłowego usunięcia i usunięcia zanieczyszczeń oraz odzyskania wszystkich materiałów. Osoby fizyczne mogą odgrywać ważną rolę w zapewnianiu, że WEEE nie stanie się problemem środowiskowym; należy przestrzegać kilku podstawowych zasad:

- WEEE nie powinien być traktowany jako odpad komunalny;
- WEEE należy zabrać do wyznaczonych miejsc zbiórki zarządzanych przez radę miasta lub zarejestrowaną firmę.

W wielu krajach krajowe kolekcje mogą być dostępne dla dużych WEEE. Kiedy kupujesz nowe urządzenie, stare może zostać zwrócone do sprzedawcy, który musi zaakceptować je bezpłatnie jako jednorazowy, o ile urządzenie jest równoważnego typu i ma takie same funkcje jak zakupione urządzenie.

**SRODKI OSTROZNOSCI W CELU OCHRONY PRZED WYSTAWIENIEM SIĘ NA
DZIAŁANIE ENERGII MIKROFAL**

1. Nie należy obsługiwać tej kuchenki przy otwartych drzwiczkach ze względu na ryzyko wystawienia się na szkodliwe działanie energii mikrofal. W żadnym wypadku nie wolno omijać ani manipulować przy blokadach bezpieczeństwa.
2. Nie umieszczać żadnych przedmiotów między drzwiczkami i przednią częścią kuchenki, ani nie dopuszczać do gromadzenia się brudu lub resztek środków czyszczących na powierzchniach uszczelniających.
3. Nie wolno korzystać z tego urządzenia, jeśli jest ono uszkodzone. Bardzo ważne jest, aby drzwiczki zamykały się dokładnie i żadna z poniższych części kuchenki nie była uszkodzona:
 - a) drzwiczki (wgniecenia na powierzchni);
 - b) zawiasy i zatrzaski (brak pęknięć lub poluzowań);
 - c) uszczelki drzwiczek oraz powierzchnie uszczelniające.
4. Prace związane z regulacją lub naprawą kuchenki mogą przeprowadzać jedynie wykwalifikowani pracownicy serwisu.

SPIS TREŚCI:

WAZNE INSTRUKCJE BEZPIECZEŃSTWA	3
DANE TECHNICZNE	4
INSTALACJA	4
ZAKŁÓCENIA RADIOWE	4
WSKAZÓWKI DOTYCZĄCE GOTOWANIA W KUCHENCE MIKROFALOWEJ.....	5
INSTRUKCJE DOTYCZĄCE UZIEMIENIA	5
PRZED WEZWANIEM SERWISU.....	5
WSKAZÓWKI DOTYCZĄCE NACZYŃ	6
CZĘŚCI I ELEMENTY WYPOSAŻENIA KUCHENKI.....	6
PANEL STEROWANIA	7
OBSŁUGA KUCHENKI	7
CZYSZCZENIE I KONSERWACJA.....	8

WAZNE INSTRUKCJE BEZPIECZEŃSTWA

W trakcie obsługi urządzenia elektrycznego należy przestrzegać podstawowych zasad bezpieczeństwa, w tym również poniższych instrukcji.

OSTRZEŻENIE:

Należy stosować się do poniższych instrukcji w celu zmniejszenia ryzyka oparzeń, porażenia prądem elektrycznym, pożaru, obrażeń osób lub narażenia na działanie nadmiernego promieniowania mikrofalowego.

1. Przed rozpoczęciem użytkowania urządzenia należy zapoznać się z niniejszą instrukcją obsługi.
2. Urządzenie należy używać wyłącznie do celów określonych w niniejszej instrukcji. Zabrania się umieszczania w nim żrących oparów lub środków chemicznych. Kuchenka została specjalnie zaprojektowana do podgrzewania lub gotowania potraw i nie jest przeznaczona do użytku przemysłowego lub laboratoryjnego.
3. Nie wolno włączać kuchenki, jeżeli jest pusta.
4. Nie wolno użytkować urządzenia w razie uszkodzenia przewodu zasilającego lub wtyczki, gdy nie działa prawidłowo lub gdy zostało uszkodzone lub upuszczone. Uszkodzony przewód zasilający lub wtyczka muszą zostać wymienione na nowe przez producenta, personel autoryzowanego punktu serwisowego lub osobę z odpowiednimi kwalifikacjami, w celu uniknięcia ryzyka porażenia prądem elektrycznym.
5. **Ostrzeżenie:** Dzieciom można pozwolić na korzystanie z kuchenki bez nadzoru wyłącznie po udzieleniu im niezbędnych wskazówek odnośnie bezpiecznej obsługi kuchenki i uświadomieniu zagrożeń wynikających z jej niewłaściwego użytkowania.
6. W celu ograniczenia ryzyka pożaru wewnątrz urządzenia, należy:
 - Podczas podgrzewania żywności w pojemnikach plastikowych lub papierowych, zwracać szczególną uwagę na pracę kuchenki, ze względu na ryzyko zapalenia się umieszczonych w niej pojemników.
 - Przed umieszczeniem pojemników papierowych lub plastikowych w kuchence, usunąć z nich wszelkie zaciski druciane i uchwyty metalowe.
 - W razie zauważenia dymu natychmiast wyłączyć urządzenie lub odłączyć od zasilania i pozostawić drzwiczki zamknięte w celu stłumienia ewentualnych płomieni.
 - Nie należy wykorzystywać wnętrza kuchenki do przechowywania żywności lub przedmiotów. Gdy kuchenka nie jest użytkowana, nie należy w niej przechowywać przedmiotów papierowych, sztućców, żywności itd.
7. **Ostrzeżenie:** Nie wolno podgrzewać żadnych płynów lub innych produktów żywnościowych w szczelnie zamkniętych pojemnikach, gdyż mogą one eksplodować.
8. Przy podgrzewaniu napojów przy pomocy mikrofal może pojawić się efekt opóźnionego wrzenia, dlatego też należy zachować ostrożność podczas przenoszenia pojemnika z płynem po poddaniu go działaniu mikrofal.
9. Nie należy smażyć żywności w kuchence. Gorący olej może zniszczyć części kuchenki lub elementy wyposażenia powodując nawet poparzenia skóry.
10. Jaja w skorupkach i całe jaja ugotowane na twardo nie powinny być umieszczane w kuchenkach mikrofalowych, gdyż mogą one eksplodować nawet po zakończeniu podgrzewania mikrofalami.
11. Produkty żywnościowe pokryte grubą skórą, takie jak ziemniaki, kabaczki w całości, jabłka, kasztany itp. należy nakłuć przed gotowaniem.
12. Zawartość butelek z pokarmem dla niemowląt i słoiczków z odżywkami dla dzieci należy wymieszać lub wstrząsnąć oraz sprawdzić temperaturę przed podaniem, aby uniknąć poparzeń.
13. Naczynia kuchenne mogą nagrzewać się pod wpływem ciepła z podgrzanej żywności. Do przenoszenia naczyń należy używać rękawic kuchennych.
14. Należy używać tylko takich naczyń kuchennych, które nadają się do stosowania w kuchenkach mikrofalowych.
15. **OSTRZEŻENIE:** Prace związane z konserwacją lub naprawą kuchenki, które wymagają zdjęcia osłony zabezpieczającej przed działaniem energii mikrofal są niebezpieczne, w związku z czym muszą być wykonywane wyłącznie przez osobę posiadającą odpowiednie kwalifikacje.
16. Ten produkt jest urządzeniem Grupy 2, Klasa B ISM. Grupa 2 obejmuje wszystkie urządzenia ISM (przemysłowe, naukowe i medyczne), w których energia o częstotliwości radiowej wytwarzana jest w sposób zamierzony i/lub jest ona wykorzystywana w formie promieniowania elektromagnetycznego do obróbki materia/ów, a także przez urządzenia do obróbki erozyjnej. Sprzęt Klasy B to urządzenia przystosowane do użytku w gospodarstwach domowych oraz instytucjach podłączonych bezpośrednio do sieci niskiego napięcia doprowadzającej energię elektryczną do budynków mieszkalnych.
17. To urządzenie nie jest przeznaczone do obsługi przez osoby (w tym dzieci) o ograniczonej zdolności fizycznej, czuciowej lub psychicznej, lub osoby nie mające doświadczenia lub znajomości obsługi takiego urządzenia, chyba że użytkowanie odbywa się to pod nadzorem osoby odpowiadającej za ich bezpieczeństwo lub zgodnie z instrukcjami użytkowania przekazanymi przez taką osobę.
18. Należy zwracać uwagę na dzieci, aby nie bawiły się tym urządzeniem.

DANE TECHNICZNE

Pobór energii:	230V-240V/50Hz, 1200W (funkcja mikrofal)
Znamionowa moc wyjściowa mikrofal:	700W
Częstotliwość robocza:	2450MHz
Wymiary zewnętrzne:	262mm(wys.)x452(szer.)x335(głęb.)
Wymiary komory kuchenki:	198mm(wys.)x315(szer.)x297(głęb.)
Pojemność kuchenki:	20 litrów
Równomierność podgrzewania:	mechanizm obrotowy
Ciężar netto:	ok. 10.5 kg

INSTALACJA

1. Należy upewnić się, że z kuchenki zostały usunięte wszystkie materiały opakowaniowe.
2. Ostrzeżenie: Sprawdź czy kuchenka nie posiada takich uszkodzeń jak nierówno zamontowane lub wygięte drzwiczki, uszkodzone uszczelki drzwiczek lub uszkodzona powierzchnia uszczelniająca, uszkodzone lub poluzowane zawiasy drzwiczek i blokady lub zdeformowane powierzchnie wewnętrzne lub drzwiczek. W przypadku stwierdzenia uszkodzeń należy skontaktować się z wykwalifikowanym personelem serwisowym i nie używać kuchenki, dopóki uszkodzenia nie zostaną usunięte.
3. Kuchenkę należy postawić na płaskiej, stabilnej powierzchni, odpowiednio wytrzymałej do udźwignięcia ciężaru urządzenia wraz z najcięższą potrawą, jaka może być w niej przygotowywana.
4. Nie należy umieszczać kuchenki w pobliżu źródeł ciepła i materiałów łatwopalnych oraz w miejscach o wysokiej wilgotności.
5. Do prawidłowej pracy urządzenie wymaga odpowiedniej wentylacji. Należy pozostawić 20 cm wolnej jej tylną ścianką i 5 cm po obu przestrzeni nad kuchenką, 10 cm za bokach. Nie wolno zakrywać lub blokować żadnych otworów urządzenia ani demontować jego nóżek.
6. Nie należy używać urządzenia bez prawidłowo umieszczonego szklanego talerza, pierścienia obrotowego i łącznika.
7. Należy upewnić się, że przewód zasilający nie jest uszkodzony, nie znajduje się pod spodem kuchenki ani nie styka się z gorącą powierzchnią lub ostrymi krawędziami.
8. Gniazdko sieciowe musi być łatwo dostępne tak, aby można było szybko odłączyć z niego kuchenkę w przypadku zagrożenia.
9. Uprzedzenie można użytkować wyłącznie w pomieszczeniach zamkniętych.

ZAKŁÓCENIA RADIOWE

Praca kuchenki mikrofalowej może spowodować zakłócenia odbiorników radiowych, telewizyjnych i podobnych urządzeń.

Zakłócenia można ograniczyć lub wyeliminować w następujący sposób:

1. Wyczyścić drzwiczki i powierzchnie uszczelniające kuchenki.
2. Zmienić ustawienie radiowej lub telewizyjnej anteny odbiorczej.
3. Przesunąć kuchenkę mikrofalową względem odbiornika.
4. Odsunąć kuchenkę mikrofalową od odbiornika.
5. Podłączyć kuchenkę mikrofalową do innego gniazdka elektrycznego tak, aby kuchenka i odbiornik były zasilane z innego obwodu sieci elektrycznej.

WSKAZÓWKI DOTYCZĄCE GOTOWANIA W KUCHENCIE MIKROFALOWEJ

1. Dokładnie ułożyć produkty żywnościowe. Najgrubsze składniki potrawy ułożyć na obrzeżach naczynia.
2. Kontrolować czas gotowania. Gotować przez najkrótszy zalecany czas, który w razie potrzeby można następnie wydłużyć. W przypadku znacznego przypalenia potrawy może wytworzyć się dym lub potrawa może się zapalić.
3. Produkty należy gotować pod przykryciem, co zabezpiecza przed rozpryskiwaniem i sprzyja równomiernemu ogrzewaniu potrawy.
4. Aby przyspieszyć proces gotowania takich produktów, jak kurczak czy hamburgery, należy je obrócić jeden raz podczas gotowania. Duże produkty, takie jak pieczeń mięsna, należy obrócić co najmniej jeden raz.
5. W przypadku potraw takich jak pulpety mięsne należy zmienić ich ułożenie w połowie procesu gotowania w kuchence w taki sposób, aby produkty ułożone na górze zostały przeniesione na dół, a te ułożone po środku przesunięte na obrzeże naczynia.

INSTRUKCJE DOTYCZĄCE UZIEMIENIA

Urządzenie należy uziemić. Kuchenka jest wyposażona w przewód zasilający z wtyczką uziemiającą. Przewód należy podłączyć do właściwie zainstalowanego i uziemionego ściennego gniazdka zasilania. W przypadku zwarcia uziemienie zmniejsza ryzyko porażenia prądem elektrycznym umożliwiając przepływ prądu przez przewód uziemiający. Zaleca się podłączenie urządzenia do osobnego obwodu elektrycznego. Stosowanie wysokich napięć jest niebezpieczne i może być przyczyną pożaru lub innych wypadków prowadzących do uszkodzenia kuchenki.

OSTRZEŻENIE: W przypadku niewłaściwego podłączenia istnieje ryzyko porażenia prądem.

Uwagi:

1. W przypadku jakichkolwiek pytań dotyczących uziemienia lub instrukcji dotyczących podłączenia do zasilania elektrycznego należy skontaktować się z wykwalifikowanym elektrykiem lub pracownikiem serwisu.
2. Producent i sprzedawca nie ponoszą odpowiedzialności za uszkodzenia kuchenki lub obrażenia powstałe wskutek niestosowania się do instrukcji dotyczących podłączenia do zasilania elektrycznego.

Poszczególne kable w przewodzie zasilającym posiadają oznaczenia barwne zgodne z poniższym kodem:

Zielono-żółty= UZIEMIENIE

Niebieski = ZERO

Brązowy=FAZA

PRZED WEZWANIEM SERWISU

W przypadku awarii kuchenki należy:

1. Sprawdzić, czy kuchenka jest prawidłowo podłączona do sieci. Jeśli nie - należy wyjąć wtyczkę z gniazdka, odczekać 10 sekund i podłączyć ją ponownie, zgodnie z instrukcją.
2. Sprawdzić, czy bezpiecznik obwodu nie uległ przepaleniu lub nie wyłączył się bezpiecznik automatyczny. Jeśli powyższe zabezpieczenia działają poprawnie należy sprawdzić gniazdko sieciowe, podłączając do niego inne urządzenie.
3. Sprawdzić, czy panel sterowania jest odpowiednio zaprogramowany oraz czy pokrętko regulacji czasu zostało ustawione na odpowiednią wartość czasu.
4. Sprawdzić, czy drzwiczki zostały dokładnie zamknięte przez blokady drzwiczek. W przeciwnym razie energia mikrofal nie zostanie dostarczona do kuchenki.

JEŻELI PO WYKONANIU POWYŻSZYCH CZYNNOŚCI KUCHENKA NADAL NIE DZIAŁA PRAWIDŁOWO, NALEŻY SKONTAKTOWAĆ SIĘ Z AUTORYZOWANYM SERWISEM. NIE NALEŻY SAMODZIELNIE REGULOWAĆ LUB NAPRAWIAĆ KUCHENKI.

NUMER SERYJNY URZĄDZENIA - gdzie się znajduje?

Ważne jest, aby kontaktując się z serwisem podać kod produktu i numer seryjny (ciąg 16 znaków rozpoczynający się od cyfry 3), które znajdują się na karcie gwarancyjnej lub na tabliczce znamionowej umieszczonej na urządzeniu.

W ten sposób pomagają Państwo uniknąć zbędnych wizyt w serwisie technicznym oraz związanych z tym kosztów.

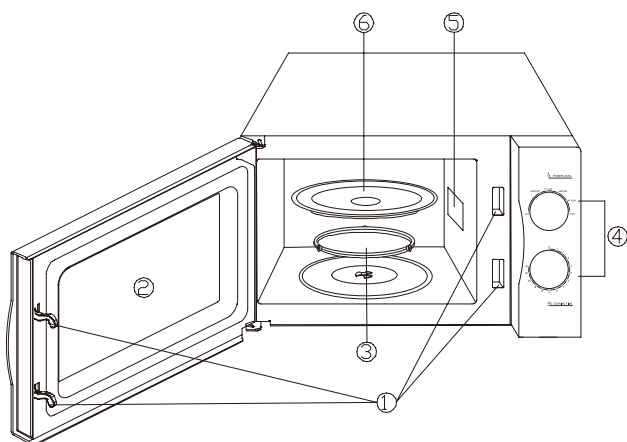
WSKAZÓWKI DOTYCZĄCE NACZYŃ

1. Najbardziej odpowiednim materia/em na naczynia nadające się do zastosowania w kuchence mikrofalowej jest materia/ przezroczysty umożliwiający przenikanie energii przez pojemnik w celu podgrzania znajdującej się w nim żywności.
2. Mikrofałe nie mają zdolności przenikania przez metale. W związku z tym nie należy stosować metalowych narzędzi lub naczyń z metalowymi elementami.
3. Podczas przygotowywania posiłków w kuchence mikrofalowej nie należy stosować wyrobów z papieru pochodzącego z recyklingu, ponieważ może on zawierać metalowe drobinki, mogące powodować iskrzenie i/lub pożar.
4. Zaleca się stosowanie okrągłych/owalnych naczyń zamiast naczyń kwadratowych/podłużnych, gdyż żywność w rogach naczynia częściej się przypala.
5. Odsłonięte części potrawy można chronić przed przypaleniem osłaniając je wąskimi paskami folii aluminiowej. Należy jednak pamiętać, aby nie stosować folii w dużej ilości i zachować odległość ok. 2.5 cm między folią a ściankami wewnętrznymi kuchenki.

Poniższa lista ułatwi Państwu wybór właściwych naczyń i przyborów.

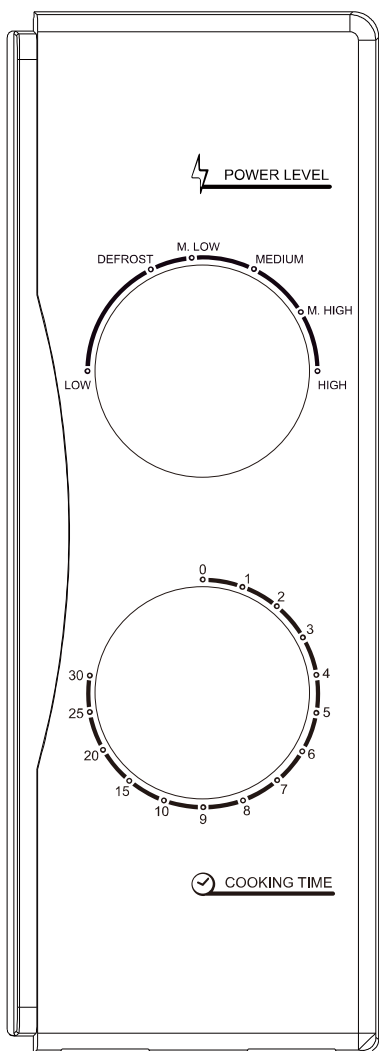
NACZYNIA KUCHENNE	MIKROFALE
Szkoło żaroodporne	Tak
Szkoło nieodporne na wysoką temperaturę	Nie
Żaroodporne wyroby ceramiczne	Tak
Naczynia z tworzyw sztucznych nadające się do stosowania w kuchence mikrofalowej	Tak
Papier do pieczenia	Tak
Taca metalowa	Nie
Ruszt metalowy	Nie
Folia aluminiowa i pojemniki foliowe	Nie

CZĘŚCI I ELEMENTY WYPOSAŻENIA KUCHENKI



1. Blokada drzwiczek
2. Okienko kuchenki
3. Pierścień obrotowy
4. Panel sterowania
5. Pokrywa falowodu
6. Szklany talerz obrotowy

PANEL STEROWANIA



Panel sterowania składa się z dwóch pokręteł - pokrętła regulacji czasu („Time”), i pokrętła mocy i funkcji („Power/Action”).

POKRĘTŁO MOCY I FUNKCJI

Pokrętło to służy do regulacji mocy podgrzewania. Przystępując do gotowania należy w pierwszej kolejności ustawić to pokrętło.

POKRĘTŁO REGULACJI CZASU

Umożliwia wygodną regulację czasu pracy kuchenki (maksymalnie 30 minut dla jednego cyklu gotowania).

GOTOWANIE PRZY POMOCY MIKROFAL

Do gotowania z wykorzystaniem samych mikrofal przewidziano pięć poziomów mocy, z których należy wybrać najbardziej odpowiedni dla danej potrawy. Poziom mocy zwiększa się wraz z obrotem pokrętła w kierunku ruchu wskazówek zegara. Przewidziano następujące poziomy mocy:

	Moc wyjściowa	Opis
1	100%	HIGH - WYSOKA
2	88%	M.HIGH - ŚR.WYSOKA
3	73%	MED - ŚREDNIA
4	52%	M.LOW - ŚR.NISKA
5	42%	DEFROST - ROZMRAŻANIE
6	20%	LOW- NISKA

OBSŁUGA KUCHENKI

Ustawienie programu gotowania.

1. Umieścić potrawę w kuchenke i zamknąć drzwiczki.
2. Obrócić pokrętło mocy i funkcji, wybierając odpowiedni poziom mocy lub funkcję gotowania.
3. Ustawić czas gotowania za pomocą pokrętła regulacji czasu.

UWAGA:

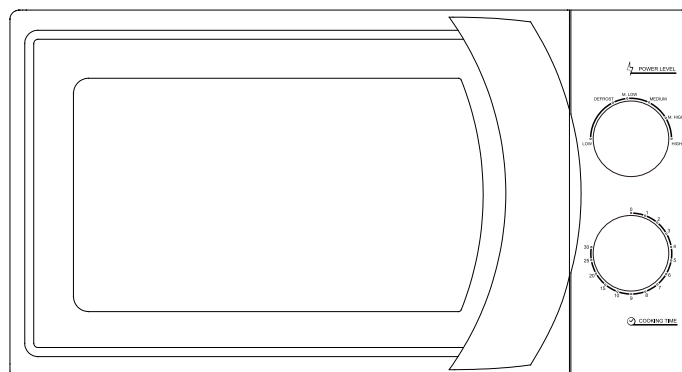
Urządzenie rozpoczyna pracę natychmiast po przekręceniu pokrętła regulacji czasu „Time”. W

przypadku czasu krótszego niż 2 minuty należy obrócić pokrętło regulacji czasu poza zakres 2 minut, a następnie delikatnie wstecz, wybierając właściwy czas.

OSTROŻNIE: W przypadku wyjmowania żywności z kuchenki przed upływem czasu gotowania oraz gdy kuchenka nie jest używana, należy **ZAWSZE USTAWIĆ POKRĘTŁO REGULACJI CZASU Z POWROTEM W POZYCJI „ZERO”**. Aby zatrzymać pracę kuchenki po uruchomieniu funkcji gotowania należy nacisnąć przycisk otwierania drzwiczek lub otworzyć drzwiczki pociągając za uchwyt.

CZYSZCZENIE I KONSERWACJA

1. Przed rozpoczęciem czyszczenia należy wyłączyć kuchenkę i wyjąć wtyczkę przewodu zasilającego z gniazdka sieciowego.
2. Wnętrze kuchenki należy utrzymywać w czystości. W razie zabrudzenia wewnętrznych ścianek kuchenki należy usunąć resztki żywności lub rozlaną ciecz przy pomocy wilgotnej ściereczki. W przypadku silnego zabrudzenia można użyć łagodnego detergentu. Należy unikać stosowania środków czyszczących w sprayu i innych silnych środków czyszczących, ponieważ mogą one popłamić, pokryć smugami lub zmatowić powierzchnię kuchenki i drzwiczek.
3. Zewnętrzną powierzchnię kuchenki należy czyścić przy pomocy wilgotnej ściereczki. Aby uniknąć uszkodzenia podzespołów znajdujących się wewnątrz kuchenki należy uważać, by woda nie przedostała się przez otwory wentylacyjne do wnętrza urządzenia.
4. Zewnętrzną i wewnętrzną powierzchnię drzwiczek i okienka jak również uszczelki drzwiczek i sąsiadujące części należy regularnie przecierać wilgotną ściereczką, aby usunąć wszelkie pozostałości pożywienia lub zacieki. Nie należy stosować środków czyszczących zawierających substancje ściernie.
5. Nie należy dopuszczać do zamoczenia panelu sterowania. Do czyszczenia należy stosować miękką, wilgotną ściereczkę. Aby zapobiec przypadkowemu włączeniu kuchenki, panel sterujący należy czyścić przy otwartych drzwiczkach.
6. Jeśli skroplona para wodna zaczyna osiadać po wewnętrznej lub zewnętrznej stronie drzwiczek, należy ją zetrzeć za pomocą miękkiej ściereczki. Taka sytuacja może mieć miejsce, gdy kuchenka mikrofalowa użytkowana jest w pomieszczeniu o wysokiej wilgotności. Jest to zjawisko normalne.
7. Co pewien czas należy wyjąć i umyć szklany talerz. Talerz należy wymyć w ciepłej wodzie z dodatkiem płynu do mycia naczyń albo w zmywarce.
8. Aby zapobiec głośniejszej pracy urządzenia należy regularnie czyścić pierścień obrotowy i dno wnętrza kuchenki. Dolną powierzchnię należy oczyścić przy pomocy łagodnego detergentu. Pierścień obrotowy należy umyć w wodzie z dodatkiem płynu do mycia naczyń lub w zmywarce. Podczas ponownego montowania pierścienia obrotowego w kuchenke należy zwrócić uwagę, aby zamontować go we właściwy sposób.
9. Aby pozbyć się nieprzyjemnego zapachu w kuchenke należy przez 5 minut gotować w niej wodę z sokiem i skórką z jednej cytryny w głębokiej misce przystosowanej do podgrzewania w kuchenke mikrofalowej. Następnie wnętrze kuchenki należy dokładnie wytrzeć suchą, miękką ściereczką.
10. Jeśli konieczna jest wymiana wewnętrznej żarówki, należy zwrócić się w tej sprawie do SERWISU.
11. Należy regularnie czyścić kuchenkę i usuwać z niej resztki żywności. Niestosowanie się do powyższych wskazówek może prowadzić do uszkodzenia powierzchni urządzenia, co z kolei może niekorzystnie wpłynąć na jego żywotność i prowadzić do niebezpiecznych następstw.
12. Urządzenia nie wolno wyrzucać wraz z odpadami domowymi - należy je oddać do określonego punktu wyznaczonego do tego celu przez władze lokalne.



FORNO A MICROONDE

Modello: CMW 2070S

Manuale istruzioni

Leggere attentamente le istruzioni prima di utilizzare il forno a microonde e conservarle con cura.

Riportare qui di seguito il numero seriale che trovate nella targa matricola del prodotto e conservate questo codice per future necessità.

Numero Seriale :

DICHIARAZIONE DI CONFORMITÀ



Posizionando il marchio su questo prodotto, confermiamo la conformità a tutti i pertinenti requisiti europei in materia di sicurezza, salute e ambiente applicabili nella legislazione per questo prodotto.

GESTIONE DEI RIFIUTI E TUTELA DELL'AMBIENTE



Questo apparecchio è etichettato in conformità alla Direttiva europea 2012/19 / UE relativa agli apparecchi elettrici ed elettronici (RAEE). I RAEE contengono sia sostanze inquinanti (che possono avere un effetto negativo sull'ambiente) sia elementi di base (che possono essere riutilizzati). È importante che i RAEE siano sottoposti a trattamenti specifici per rimuovere e smaltire correttamente gli inquinanti e recuperare tutti i materiali. Le persone possono svolgere un ruolo importante nel garantire che i RAEE non diventino un problema ambientale; è essenziale seguire alcune regole di base:

- I RAEE non devono essere trattati come rifiuti domestici;
- I RAEE devono essere portati nelle aree di raccolta dedicate gestite dal consiglio comunale o da una società registrata.

In molti paesi, le raccolte nazionali possono essere disponibili per RAEE di grandi dimensioni. Quando si acquista un nuovo apparecchio, quello vecchio può essere restituito al fornitore che deve accettarlo gratuitamente come una tantum, purché l'apparecchio sia di tipo equivalente e abbia le stesse funzioni dell'apparecchio acquistato.

PRECAUZIONI PER EVITARE UNA POSSIBILE ESPOSIZIONE A UN'ECESSIVA ENERGIA DELLE MICROONDE

1. Non tentare di utilizzare il forno con lo sportello aperto, onde evitare una dannosa esposizione all'energia delle microonde. È importante non manomettere i dispositivi di blocco per la sicurezza.
2. Non posizionare alcun oggetto tra la superficie anteriore del forno e lo sportello; inoltre, non consentire l'accumulo di sporcizia o residui di detergenti sulle superfici di guarnizione.
3. **AVVERTENZA:** se lo sportello o le sue guarnizioni sono danneggiati, non utilizzare il forno finché non sia stato riparato da personale esperto.
 - a) Porta (piegata),
 - b) Cerniere e chiavistelli (rotti o allentati),
 - c) Guarnizioni della porta e superfici di tenuta.
4. Il forno non deve essere regolato o riparato da nessuno, ad eccezione del personale di servizio qualificato.

INDICE

IMPORTANTI ISTRUZIONI PER LA SICUREZZA	3
SPECIFICHE	4
INSTALLAZIONE	4
RADIO INTERFERENZE	4
PRINCIPI DELLA COTTURA A MICROONDE.....	4
INSTALLAZIONE MASSA A TERRA	5
SERVIZIO ASSISTENZA CLIENTI.....	5
GUIDA AGLI UTENSILI	6
DESCRIZIONE COMPONENTI	6
PANNELLO DI CONTROLLO	7
OPERAZIONI.....	7
PULIZIA E CURA.....	8

IMPORTANTI ISTRUZIONI PER LA SICUREZZA

Per ridurre il pericolo di incendi, scosse elettriche, infortuni o eccessiva esposizione all'energia del forno a microonde durante l'uso dell'elettrodomestico, attenersi alle precauzioni fondamentali riportate di seguito:

1. Leggere tutte le istruzioni prima di usare
2. Utilizzare l'elettrodomestico solo per l'uso previsto descritto nel manuale. Non utilizzare vapori o sostanze chimiche corrosive nell'elettrodomestico. Il forno è progettato nello specifico per il riscaldamento; non è pensato per l'uso industriale o in laboratorio.
3. Non utilizzare il microonde quando è vuoto
4. Se il cavo di alimentazione è danneggiato, richiederne la sostituzione al produttore, al tecnico dell'assistenza o ad altro personale qualificato, onde evitare pericoli.
5. **Avvertenza:** consentire ai bambini di utilizzare il forno senza supervisione solo se sono state fornite istruzioni adeguate, in modo che i bambini possano utilizzare il forno in sicurezza e comprendano i pericoli di un uso improprio.
6. Per ridurre il rischio di fiamme all'interno della cavità:
 - Durante il riscaldamento di cibo in contenitori di carta o plastica, non perdere di vista il forno (possibilità di accensione del materiale).
 - Rimuovere le maniglie e i componenti in metalli da sacchetti e contenitori in plastica o carta prima di porli nel forno.
 - Se si rilevano fuoriuscite di fumo, spegnere o scollegare l'elettrodomestico e tenere lo sportello chiuso per soffocare eventuali fiamme.
 - Non utilizzare la cavità del forno per la conservazione. Non conservare all'interno del forno carta, utensili di cucina e gli alimenti. come pane, biscotti, ecc.
7. **Avvertenza:** i liquidi e i prodotti alimentari non devono essere riscaldati all'interno di contenitori sigillati, che potrebbero esplodere
8. Il riscaldamento a microonde delle bevande può causare un'ebollizione ritardata; prestare attenzione quando si maneggia il contenitore.
9. Non friggere cibi all'interno del microonde. L'olio caldo può danneggiare il forno e gli utensili ed è sempre pericoloso per eventuali bruciature alla pelle.
10. Le uova nel guscio e le uova sode non dovrebbero essere riscaldate nel forno a microonde, in quanto potrebbero esplodere (anche al termine del riscaldamento a microonde).
11. Prima della cottura nel microonde, eseguire piccoli fori negli alimenti con una buccia pesante, come patate, zucche, mele o castagne.
12. Il contenuto di biberon e contenitori per alimenti per bambini deve essere mescolato o agitato; è inoltre opportuno controllarne la temperatura prima del consumo, onde evitare ustioni.
13. Gli utensili di cottura possono diventare caldi a causa del trasferimento di calore dal cibo riscaldato. L'uso di presine è consigliato per maneggiare gli utensili.
14. Utilizzare solamente utensili adatti all'uso nei forni a microonde.
15. **Avvertenza:** È pericoloso per chiunque non sia una persona esperta di procedere a qualsiasi servizio o operazione di manutenzione, che implica la rimozione di qualsiasi copertura che fornisce protezione contro l'esposizione delle microonde magnetiche.
16. Questo prodotto è incluso nel Gruppo 2 Classe B delle apparecchiature ISM. La definizione di gruppo 2, che contiene tutte le ISM (Industriali, Scientific and Medical), e cioè le apparecchiature in cui l'energia a radiofrequenza è volutamente generata e / o utilizzata in forma di radiazione elettromagnetica per il trattamento di materiali e attrezzature a scintilla di erosione. Per le apparecchiature di classe B si intende equipaggiamento adatto per l'uso in stabilimenti nazionali e nelle istituzioni, direttamente collegata a una rete di alimentazione a bassa tensione che alimenta edifici utilizzati per scopi domestici.
17. Questo elettrodomestico non è destinato all'uso da parte di persone (compresi i bambini) con ridotte capacità fisiche, sensoriali o mentali, oppure prive di esperienze e conoscenze, a meno che siano sottoposti a vigilanza o istruiti sull'utilizzo dell'elettrodomestico da parte di un personale responsabile della loro sicurezza.
18. È necessario vigilare sui bambini per impedire che giochino con l'elettrodomestico

SPECIFICHE

Tensione nominale	230V-240V /50Hz
Potenza di ingresso nominale	1200W (Microonde)
Potenza di uscita nominale Microonde	700W
Frequenza microonde	2450MHz
Dimesioni esterne	262mm(A)x452mm(P)x335mm(L)
Dimensioni cavità forno	198mm(A)x315mm(P)x297mm(L)
Capacità forno	20 lt
Uniformità cottura	Sistema a piatto girevole
Peso netto	Circa 10.5 Kg

INSTALLAZIONE

1. Assicurarsi che tutti materiali di imballi siano stati rimossi dall'interno della porta.
2. **ATTENZIONE:** Controllare il forno per eventuali danni, come la porta non allineata o piegata, danneggiamento delle guarnizioni della porta e la superficie di tenuta, le cerniere e serrature delle porte rotte o mancanti e ammaccature all'interno della cavità o sulla porta. In caso di qualsiasi danno, non utilizzare il forno e contattare il personale di assistenza qualificato.
3. Non posizionare il forno in luoghi in cui siano generati calore, umidità o alta umidità o vicino a materiali combustibili.
4. Questo microonde deve essere posizionato su una superficie piana e stabile, che sia in grado di sorreggere il peso del microonde e anche il peso degli alimenti cotti al suo interno.
5. Per il corretto funzionamento, il forno deve avere un flusso d'aria sufficiente. Consentire 20 centimetri di spazio al di sopra del forno, 10 centimetri dietro e 5 centimetri su entrambi i lati. Non coprire o ostruire le aperture del prodotto. Non rimuovere i piedini.
6. Non utilizzare il microonde senza piatto in vetro girevole, senza supporto a rulli e senza albero del piatto girevole nella posizione corretta.
7. Assicurarsi che il cavo di alimentazione non sia danneggiato e sia sotto il forno o su una superficie calda o tagliente.
8. La presa di corrente deve essere di facile accesso in modo che si possa disconnettere il forno in caso di emergenza.
9. Non utilizzare il forno all'aperto.

RADIO INTERFERENZE

L'uso del forno a microonde può generare interferenze alla tua radio, televisione o simili apparecchiature. Quando si riscontrano tali interferenze, si può ridurle o eliminarle seguendo le seguenti misure:

1. Pulire il forno e le sue guarnizioni.
2. Riorientare la antenna della radio o del televisore.
3. Riposizionare il microonde rispetto all'antenna.
4. Allontanare il microonde dall'antenna.
5. Collegare il forno a microonde in una presa diversa in modo che il forno a microonde e il ricevitore del televisore/radio si trovino su circuiti diversi.

PRINCIPI DELLA COTTURA A MICROONDE

1. Disporre gli alimenti con cura. Posizionare le aree più grosse verso l'esterno del piatto.
2. Controlla il tempo di cottura. Cuocere per il minor tempo indicato e aggiungerne se necessario. I cibi stracotti possono fumare o incendiarsi.
3. Coprire gli alimenti durante la cottura. Coprirli evita schizzi e aiuta a cucinare i cibi in modo uniforme.
4. Capovolgere gli alimenti una volta durante la cottura a microonde per accelerare la cottura di alimenti come pollame e hamburger. Oggetti di grandi dimensioni come gli arrostiti devono essere capovolti almeno una volta.
5. Riposizionare alimenti quali polpette di carne a metà cottura, sia dall'alto al basso che dal centro del piatto verso l'esterno.

INSTALLAZIONE MASSA A TERRA

Questo apparecchio deve essere collegato a terra. Questo forno è dotato di un cavo con un filo e una spina di messa a terra. Esso deve essere collegato ad una presa a muro che sia installata correttamente e collegata a terra. In caso di un corto circuito, la messa a terra riduce il rischio di scosse elettriche, fornendo un filo di fuga per la corrente elettrica.

ATTENZIONE: L'uso improprio della spina di messa a terra può comportare un rischio di scosse elettriche.

Nota:

1. Se avete domande circa la messa a terra o

informazioni riguardanti il collegamento elettrico, consultare un elettricista qualificato o una persona esperta.

2. Né il produttore né il rivenditore può accettare alcuna responsabilità per i danni al forno o lesioni personali derivanti dalla mancata osservanza delle procedure di connessione elettrica.

I fili di questo cavo principale sono colorati in conformità con il seguente codice:

Verde e giallo= TERRA

Blu=NEUTRO

Marrone= LINEA

SERVIZIO ASSISTENZA CLIENTI

CERTIFICATO DI GARANZIA CONVENZIONALE: cosa fare?

Il Suo prodotto è garantito, alle condizioni e nei termini riportati sul certificato inserito nel prodotto ed in base alle previsioni del decreto legislativo 24/02, nonché del decreto legislativo 6 settembre 2005, n. 206, per un periodo di 24 mesi decorrenti dalla data di consegna del bene.

Così come riportato nei testi dei Decreti Legislativi citati, il certificato di garanzia dovrà essere da Lei conservato, debitamente compilato, per essere mostrato al Servizio Assistenza Tecnica Autorizzato, in caso di necessità, unitamente ad un documento fiscalmente valido rilasciato dal rivenditore al momento dell'acquisto (bolla di consegna, fattura, scontrino fiscale, altro) sul quale siano indicati il nominativo del rivenditore, la data di consegna, gli estremi identificativi del prodotto ed il prezzo di cessione.

Resta pure inteso che, salvo prova contraria, poiché si presume che i difetti di conformità che si manifestano entro sei mesi dalla consegna del bene esistessero già a tale data, a meno che tale ipotesi sia incompatibile con la natura del bene o con la natura del difetto di conformità, il Servizio di Assistenza Tecnica Autorizzato Gias, verificato il diritto all'intervento, lo effettuerà senza addebitare il diritto fisso di intervento a domicilio, la manodopera ed i ricambi.

Per contro, nel successivo periodo di diciotto mesi di vigenza della garanzia, sarà invece onere del consumatore che intenda fruire dei rimedi accordati dalla garanzia stessa provare l'esistenza del difetto di conformità del bene sin dal momento della consegna; nel caso in cui il consumatore non fosse in grado di fornire detta prova, non potranno essere applicate le condizioni di garanzia previste e pertanto il Servizio di Assistenza Tecnica Autorizzato Gias effettuerà l'intervento addebitando al consumatore tutti i costi relativi.

ESTENSIONE DELLA GARANZIA FINO A 5 ANNI : come?

Le ricordiamo inoltre che sullo stesso certificato di garanzia convenzionale Lei troverà le informazioni ed i documenti necessari per prolungare la garanzia dell'apparecchio sino a 5 anni e così, in caso di guasto, non pagare il diritto fisso di intervento a domicilio, la manodopera ed i ricambi.

Per qualsiasi informazione necessitasse, La preghiamo rivolgersi al numero telefonico del Servizio Clienti **199121314**.

ANOMALIE E MALFUNZIONAMENTI: a chi rivolgersi ?

Per qualsiasi necessità il centro assistenza autorizzato è a Sua completa disposizione per fornirle i chiarimenti necessari; comunque qualora il Suo prodotto presenti anomalie o mal funzionamenti, prima di rivolgersi al Servizio Assistenza Autorizzato, consigliamo vivamente di effettuare i controlli indicati sopra.

UN SOLO NUMERO TELEFONICO PER OTTENERE ASSISTENZA.

Qualora il problema dovesse persistere, componendo il "Numero Utile" sotto indicato, sarà messo **199123123** in contatto direttamente con il Servizio Assistenza Tecnica Autorizzato che opera nella Sua zona di residenza. Attenzione, la chiamata è a pagamento; il costo verrà comunicato, tramite messaggio vocale, dal Servizio clienti dell'operatore telefonico utilizzato. Dettagli sono presenti sul sito internet www.candy.it

MATRICOLA DEL PRODOTTO. Dove si trova?

E' indispensabile che comunichi al Servizio Assistenza Tecnica Autorizzato la sigla del prodotto ed il numero di matricola (16 caratteri che iniziano con la cifra 3) che troverà sul certificato di garanzia. In questo modo Lei potrà contribuire ad evitare trasferte inutili del tecnico, risparmiando oltretutto i relativi costi.

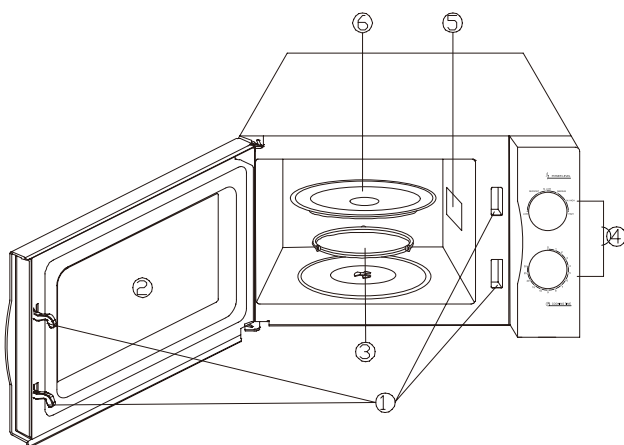
GUIDA AGLI UTENSILI

1. Il materiale ideale dell'utensile da utilizzare in un microonde è trasparente, che permetta all'energia di passargli attraverso e cucinare così il cibo
2. Le microonde non possono penetrare attraverso il metallo, e così gli utensili di metallo o piatti con bordi di metallo non dovrebbero essere utilizzati.
3. Non utilizzare materiali di carta riciclata, perché potrebbero contenere frammenti di metallo che potrebbero causare scintille e/o fiamme
4. Piatti circolari/ovali sono raccomandati rispetto a patti quadrati e rettangolari, in quanto il cibo tende a stracuocere in prossimità degli angoli.
5. Sottili strisce di alluminio possono essere utilizzate per prevenire la cottura eccessiva delle zone esposte. Ma fate attenzione a non usarne troppe e mantenere una distanza 2,5 centimetri tra pellicola e cavità.

La lista seguente è una guida generale che aiuterà nello scegliere i corretti utensili.

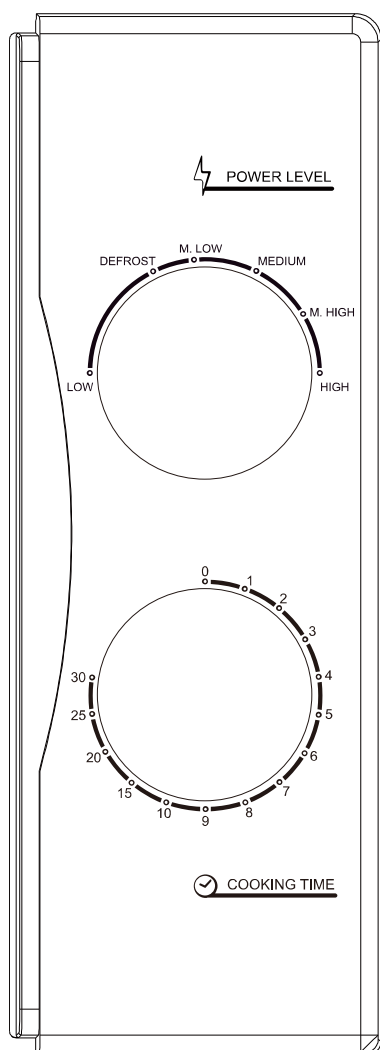
UTENSILE	MICROONDE
Vetro termoresistente	Si
Vetro non termoresistente	No
Ceramica termoresistente	Si
Piatti in plastica per microonde	Si
Carta da cucina	Si
Vassoio in metallo	No
Griglia in metallo	No
Carta e contenitori d'alluminio	No

DESCRIZIONE COMPONENTI



1. Sistema di blocco di sicurezza
2. Finestra di ispezione
3. Gruppo dell'anello per piatto girevole
4. Pannello di controllo
5. Guida Onde
6. Vassoio in vetro

PANNELLO DI CONTROLLO



Il pannello di controllo è composto da due manopole funzione. Una è la manopola timer, la seconda è il selettore potenza.

Manopola selezione potenza

Usare questa manopola per selezionare il livello di potenza della cottura. Questo è il primo passo per cominciare una sessione di cottura.

Manopola Timer

Usare questa manopola per selezionare comodamente il tempo di cottura fino a 30 minuti.

COTTURA A MICROONDE

Per la cottura a microonde pura, ci sono cinque livelli di potenza tra cui sceglierne uno come meglio si adatta alla cottura da eseguire. Aumentare il livello di potenza con la manopola ruotando in senso orario. I livelli di potenza possono essere classificati come segue:

	Potenza in uscita	Descrizione
1	100%	Alta
2	88%	Medio-alta
3	73%	Media
4	52%	Medio-bassa
5	42%	Scongelamento
6	20%	Bassa

OPERAZIONI

Per selezionare un programma di cottura:

1. Posizionare il cibo nel forno e chiudere la porta
2. Ruotare la manopola potenza per selezionare un livello di potenza o una funzione di cottura.
3. Ruotare la manopola timer per selezionare il tempo di cottura

NOTA:

Appena la manopola timer è stata ruotata, il forno comincia la cottura.

Quando si vuole selezionare il tempo di cottura per

meno di 2 minuti, ruotare il timer oltre 2 minuti e poi riportare la manopola alla corretta posizione.

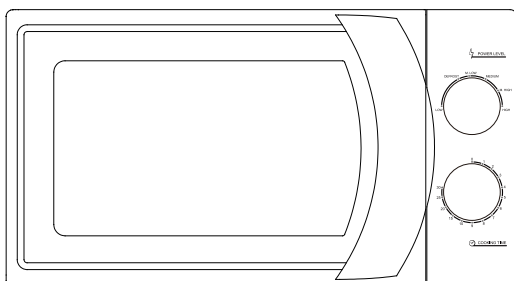
ATTENZIONE: RIPORTARE SEMPRE ALLA POSIZIONE ZERO IL TIMER se il cibo viene prelevato dal forno prima che il corretto tempo di cottura sia finito o quando il forno non è in uso. Per bloccare il forno durante la cottura, premere il tasto di apertura porta o aprire la porta con la maniglia.

PULIZIA E CURA

1. Spegnere il microonde e staccare la spina dalla presa di corrente prima di procedere alla pulizia del prodotto.
2. Tenere l'interno del forno pulito. Quando schizzi di cibo o liquidi alimentari versati aderiscono alle pareti del forno, strofinare con un panno umido. Un detergente delicato può essere usato se il forno risulta molto sporco. Evitare l'uso di spray e di altri detersivi abrasivi che potrebbero macchiare, graffiare o opacizzare la superficie della porta.
3. Le superfici esterne devono essere pulite con un panno umido. Per evitare danni alle parti che operano all'interno del forno, l'acqua non deve penetrare nelle aperture di ventilazione.
4. Pulire frequentemente la porta e la finestra su entrambi i lati, le guarnizioni della porta e le parti adiacenti con un panno umido per rimuovere eventuali versamenti o spruzzi. Non usare detersivi abrasivi. Prevenire che il pannello di controllo non diventi umido. Pulirlo con un panno soffice e umido.
5. Durante le operazioni di pulizia del pannello di controllo, lasciare la porta del forno aperta per evitare l'accidentale accensione del forno.
6. Se del vapore si accumuia all'interno o intorno la porta del forno, strofinare con un panno morbido. Ciò può verificarsi quando il forno a microonde è in funzione in presenza di forte umidità. Ciò è normale.
7. Talvolta è necessario rimuovere il vassoio acqua calda o in lavastoviglie.
8. I rulli del gruppo anello e il pavimento del forno dovrebbero essere puliti regolarmente per evitare rumori eccessivi. Basta pulire la superficie inferiore del forno con un detergente delicato. Il gruppo anello può essere lavato in acqua leggermente calda in lavastoviglie. Quando si rimuove il gruppo anello dalla cavità per la pulizia, assicurarsi di riposizionarlo nella corretta posizione.
9. Per eliminare gli odori dal vostro forno mischiate una tazza di acqua con il succo e la scorza di un limone inserite in una ciotola profonda per microonde, facendo funzionare il forno a microonde per 5 minuti. Pulire accuratamente e asciugare con un panno morbido alla fine di tale operazione.
10. Quando si rende necessario sostituire la lampadina della luce del forno, si prega di rivolgersi all'Assistenza Tecnica per farla sostituire.
11. Il forno dovrebbe essere regolarmente pulito, e gli eventuali depositi di cibo rimossi. Il mancato mantenimento del forno in un buono stato di pulizia potrebbe portare al deterioramento della superficie che potrebbe influenzare negativamente la vita dell'apparecchio e risultare potenzialmente pericoloso.

CANDY

Mikrovlnná trouba



CMW 2070S

Návod k použití

Přečtěte si prosím tento návod pozorně před instalací a použitím mikrovlnné trouby. Zapište si na níže uvedené místo sériové číslo, které naleznete na výrobním štítku spotřebiče.
Sériové číslo:

PROHLÁŠENÍ O SHODĚ



Umístěním značky na tento produkt potvrzujeme shodu se všemi příslušnými evropskými požadavky na bezpečnost, ochranu zdraví a životní prostředí, které jsou platné v právních předpisech pro tento produkt.

ODPADY A OCHRANA ŽIVOTNÍHO PROSTŘEDÍ



Tento spotřebič je označen v souladu s evropskou směrnicí 2012/19 / EU o elektrických a elektronických zařízeních (OEEZ). OEEZ obsahuje jak znečišťující látky (které mohou mít nepříznivý vliv na životní prostředí), tak základní prvky (které lze znovu použít.) Je důležité, aby byl OEEZ podroben specifickým zpracováním, aby se znečišťující látky správně odstranily a zneškodnily a aby byly získány všechny materiály. Jednotlivci mohou hrát důležitou roli při zajišťování toho, aby se OEEZ nestal problémem životního prostředí; je nezbytné dodržovat několik základních pravidel:

- S OEEZ by se nemělo zacházet jako s domácím odpadem;
- OEEZ by měl být odvážen do vyhrazených sběrných oblastí spravovaných městskou radou nebo registrovanou společností.

V mnoha zemích mohou být pro velké OEEZ k dispozici domácí sbírky. Když si koupíte nový spotřebič, může být starý vrácen prodejci, který jej musí přijmout jako jednorázový poplatek, pokud je spotřebič ekvivalentního typu a má stejné funkce jako zakoupený spotřebič.

UPOZORNĚNÍ PŘED MOŽNÝM VYSTAVENÍM SE NADMĚRNÉ MIKROVLNNÉ ENERGII

1. Nepoužívejte mikrovlnnou troubu s otevřenými dvířky, neboť to může způsobit vystavení se mikrovlnné energii. Nedemontujte bezpečnostní zámky.
2. Neumísťujte žádné předměty mezi přední panel trouby a dvířka a zabraňte usazování nečistot na dvířkách nebo těsnění.
3. Nepoužívejte mikrovlnnou troubu, pokud je poškozená. Je to zejména důležité, aby se dvířka zavíraly správně a aby nebyly poškozené
 - a. Dvířka (ohnuté),
 - b. Závěsy a pojistky (zlomené nebo uvolněné),
 - c. Těsnění dvířek a těsnící povrch.
4. Mikrovlnnou troubu smí opravovat pouze kvalifikovaný servisní technik.

Obsah

Důležité bezpečnostní pokyny	3
Technické údaje	4
Instalace	4
Rádiové rušení	4
Princip vaření pomocí mikrovln	5
Pokyny k uzemnění	5
Dříve než zavoláte servis	5
Příručka k náčiní	6
Názvy částí	7
Ovládací panel	8
Ovládání	9
Čištění a údržba	9

Na výrobek bylo vydané ES prohlášení o shodě.
Hlučnost výrobku (EN 60704-2-13)

CMW 2070 55 dB (A) (maximální hlučnost)



DŮLEŽITÉ BEZPEČNOSTNÍ POKYNY

Při použití elektrických spotřebičů dodržujte základní bezpečnostní pravidla, včetně následujících:

UPOZORNĚNÍ:

Abyste snížili riziko vzniku požáru, zásahu elektrickým proudem, zranění osob a na ochranu před mikrovlnným zářením při používání Vašeho spotřebiče doporučujeme, abyste dodržovali tato základní bezpečnostní opatření :

1. Přečtěte si pokyny před použitím spotřebiče.
2. Používejte spotřebič pouze k určenému účelu podle popisu v tomto návodu. Nepoužívejte korosivní chemikálie ve spotřebiči. Tento typ mikrovlnné trouby je určen k ohřevu, vaření nebo sušení pokrmů. Není určen pro průmyslové ani laboratorní využití.
3. Nepoužívejte mikrovlnnou troubu, pokud je prázdná.
4. Nepoužívejte spotřebič, pokud má poškozený přívodní kabel nebo zástrčku, nefunguje správně nebo je poškozený jakýmkoli způsobem. Pokud je poškozený přívodní kabel, smí jej vyměnit výrobce nebo kvalifikovaný servisní technik.
5. **UPOZORNĚNÍ:** Děti smí obsluhovat spotřebič pouze za předpokladu, že byly poučeny o použití spotřebiče a porozuměly nebezpečí v případě nesprávného použití spotřebiče.
6. Za účelem snížení rizika požáru uvnitř mikrovlnné trouby:
 - Pokud ohříváte pokrmy v plastových nebo papírových obalech, kontrolujte proces často, abyste zabránili možnému vznícení.
 - Odstraňte drátky z papírových sáčků před vložením do trouby.
 - Pokud si všimnete kouř, vypněte nebo odpojte spotřebič a nechte dvířka zavřená, abyste uhasili plamen.
 - Nepoužívejte vnitřní prostor trouby k skladování. Nenechávejte papírové výrobky, náčiní ani pokrmy v mikrovlnné troubě, pokud ji nepoužíváte.
7. **UPOZORNĚNÍ:** Tekutiny neohřívajte v uzavřených nádobách, neboť mohou explodovat.
8. Mikrovlnný ohřev nápojů může způsobit opožděné náhlé vyvěření, proto zvyšte pozornost při manipulaci s nádobou.
9. V troubě nesmažte pokrmy. Horký olej může poškodit díly mikrovlnné trouby a náčiní.
10. Vajíčka ve skořápce neohřívajte v mikrovlnné troubě, neboť mohou explodovat i po skončení ohřevu.
11. Propíchněte pokrmy se slupkou, jako jsou jablka a kaštiny před ohřevem.
12. Obsah kojeneckých láhví důkladně promíchejte před podáváním a zkontrolujte teplotu, abyste zabránili popálení.
13. Nádobí se může ohřívat z důvodu přenosu tepla z pokrmu. K manipulaci s nádobím používejte kuchyňské rukavice.
14. Zkontrolujte, zda je nádobí vhodné pro použití v mikrovlnné troubě.
15. **UPOZORNĚNÍ:** Je nebezpečné pro kohokoli jiného než kvalifikovaný servisní technik, provádět jakékoli opravy, které vyžadují sejmutí krytů poskytujících ochranu před mikrovlnným zářením.
16. Tento výrobek je zařízením Skupiny 2 Třídy ISM. Definice Skupiny 2, která obsahuje všechny ISM (Industrial, Scientific and Medical) zařízení, ve kterých se vytváří a používá rádio-frekvenční energie ve formě elektromagnetického záření pro ošetření materiálu. Podle třídy B zařízení je zařízení vhodné pro použití v domácnosti a určené pro přímé připojení k nízkonapětové elektrické síti v domácnostech.
17. Tento spotřebič není určen pro použití osobami (včetně dětí) se sníženými fyzickými, senzoryckými nebo mentálními schopnostmi nebo bez dostatečných zkušeností a znalostí, dokud nejsou pod dohledem osoby odpovědné za jejich bezpečnost.
18. Nedovolte dětem hrát si se spotřebičem.

Technické údaje

Spotřeba el. energie:	230 V~240 V/50 Hz, 1200 W (Mikrovlny)
Jmenovitý výstupní výkon mikrovln:	700 W
Provozní frekvence:	2450 MHz
Vnější rozměry:	262 mm (v) × 452 mm (š) × 370 mm (h)
Rozměry vnitřního prostoru:	220 mm (v) × 315 mm (š) × 294 mm (h)
Objem trouby:	20 litrů
Systém vaření:	Otočný talíř
Hmotnost:	přibl. 12 kg

Instalace

1. Odstraňte veškeré obalové materiály z vnitřního prostoru a z dvířek.
2. **UPOZORNĚNÍ:** Zkontrolujte, zda trouba není poškozená, jako jsou ohnutá dvířka, poškozené těsnění dvířek nebo těsnící povrch, uvolněné nebo prasklé závěsy a pojistky a díry ve vnitřním prostoru. V případě jakéhokoli poškození mikrovlnnou troubu nepoužívejte a kontaktujte kvalifikovaného servisního technika.
3. Nestavte mikrovlnnou troubu na místa vystavené teplu, vlhkosti nebo do blízkosti hořlavých materiálů.
4. Pro správný provoz musí být mikrovlnná trouba dostatečně větraná. Ponechte 20 cm volného prostoru nad troubou, 10 cm ze zadní strany a 5 cm z bočních stran. Nezakrývejte větrací otvory spotřebiče. Nedemontujte nožičky.
5. Nepoužívejte troubu bez skleněného talíře a jeho podložky.
6. Ujistěte se, zda není poškozený přívodní kabel a nevedte jej přes horké nebo ostré povrchy.
7. Zásuvka musí být snadno dostupná pro případ potřeby náhlého odpojení spotřebiče.
8. Nepoužívejte mikrovlnnou troubu venku.

Rádiové rušení

Provoz mikrovlnné trouby může způsobit rušení vašeho rádia, TV, nebo podobného přístroje. Pokud se objeví rušení, můžete jej snížit nebo odstranit jedním z následujících kroků:

1. Vyčistěte dvířka a těsnící povrch dvířek.
2. Přesměrujte přijímací anténu rádia nebo televize.
3. Postavte mikrovlnnou troubu s ohledem na přijímač.
4. Přesuňte mikrovlnnou troubu dále od přijímače.
5. Připojte mikrovlnnou troubu k jinému okruhu jako je připojený přijímač.

Princip vaření pomocí mikrovln

1. Rozmístěte pokrmy pozorně. Postavte silnější části na vnější okraj talíře.
2. Sledujte dobu přípravy. Používejte co nejkratší doby, v případě potřeby dobu prodlužte. Nadměrně přepečené pokrmy mohou způsobit kouř nebo se vznítit.
3. Během přípravy pokrmy zakryjte. Zakrytí brání stříkání a pomáhá stejnoměrně připravovat pokrmy.
4. Pokrmy v průběhu přípravy jednou otočte k urychlení přípravy pokrmů jako jsou kuře a hamburgry. Velké kusy jako pečínka musíte otočit nejméně jednou.
5. Pokrmy, jako je mleté maso, během přípravy promíchejte shora dolů a ze stran doprostřed.

Pokyny k uzemnění

Tento spotřebič musí být uzemněn. Tato trouba je vybavena přívodním kabelem s uzemňovacím vodičem a zástrčkou. Musí být připojena k elektrické zásuvce, která je správně instalována a uzemněná. V případě zkratu snižuje uzemnění riziko zasažení elektrickým proudem pomocí vodiče odvádějícího proud.

Pro troubu doporučujeme samostatné elektrické vedení. Použití vysokého napětí je nebezpečné a může způsobit požár nebo jiné nebezpečí.

UPOZORNĚNÍ: Nesprávné použití uzemňovací zástrčky může způsobit úraz elektrickým proudem.

Poznámka:

1. Pokud máte jakékoli otázky týkající se uzemnění nebo připojení, kontaktujte kvalifikovaného technika.
2. Výrobce ani prodejce neodpovídá za poškození trouby nebo úraz způsobený nedodržением pokynů k elektrickému připojení.

Vodiče v tomto kabelu jsou barevně označené v souladu s následujícím kódem:

Zelenožlutý	=	Uzemnění
Modrý	=	Neutrální
Hnědý	=	Živý

Dříve než zavoláte servis

Pokud trouba nefunguje správně:

1. Zajistěte, aby byla trouba správně připojená. Pokud není, vytáhněte zástrčku ze zásuvky, počkejte 10 sekund a poté opět připojte.
2. Zkontrolujte, zda není vypálená pojistka napájecí sítě nebo vypnutý jistič. Zkontrolujte pomocí jiného spotřebiče.
3. Zkontrolujte, zda je správně naprogramován ovládací panel a nastavený časovač.
4. Zkontrolujte, zda jsou správně uzavřena dvířka pomocí bezpečnostního systému. V opačném případě nebude do trouby proudit mikrovlnná energie.

POKUD NIC NEPOMÁHÁ, KONTAKTUJTE KVALIFIKOVANÉHO SERVISNÍHO TECHNIKA. NEPOKOUŠEJTE SE SVĚPOMOCNĚ NASTAVOVAT NEBO OPRAVOVAT MIKROVLNNOU TROUBU.

SÉRIOVÉ ČÍSLO VÝROBKU. Kde jej najdu?

Servisnímu středisku je nutné sdělit typ výrobku a sériové číslo výrobku (16 znakový kód, který začíná číslicí 3); tento můžete najít na záručním listě nebo na výrobním štítku na spotřebiči. Pomůže zabránit zbytečným výjezdům technika, čímž (značně) šetří s tím spojené náklady. Seznam autorizovaných míst je uveden na www.candy-hoover.cz

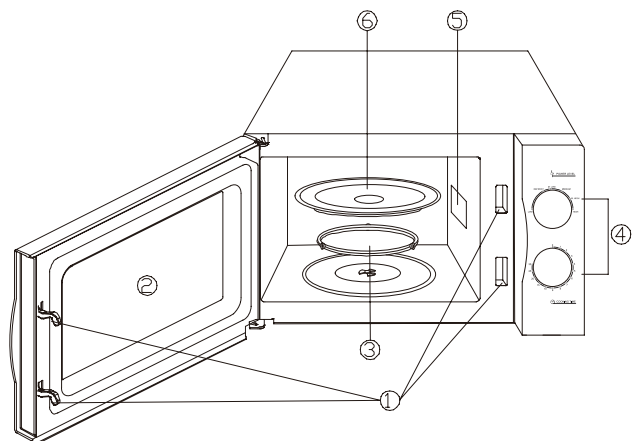
Příručka k náčiní

1. Ideální materiál pro mikrovlnné náčiní je propustný pro mikrovlny, umožňující přecházet energii přes nádobu a ohřívat pokrmy.
2. Mikrovlny nemohou přecházet přes kov, proto nepoužívejte kovové náčiní ani nádoby s kovovým pásem.
3. Nepoužívejte výrobky z recyklovaného papíru, neboť mohou obsahovat malé kovové části, které mohou způsobit jiskření nebo požár.
4. Používejte raději okrouhlé nádoby namísto čtvercových, neboť pokrmy v rozích mají tendenci se převařit.
5. Hliníkovou fólii můžete použít k zakrytí vyčnívajících částí pro ochranu před přepečením. Nepoužívejte však nadměrné množství a dbejte na to, aby zůstala minimální vzdálenost 2.54 cm mezi fólií a vnitřními stěnami trouby.

Níže uvedený seznam je základní příručkou pro volbu správného náčiní.

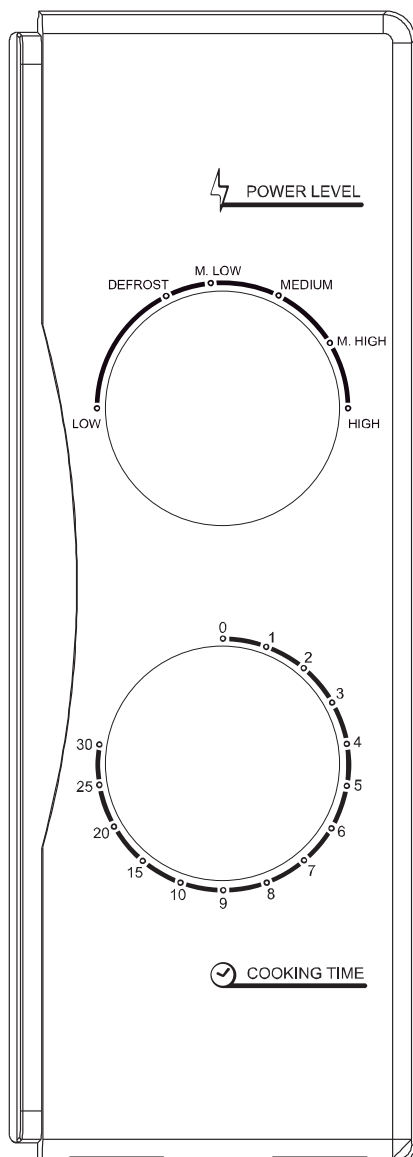
Náčiní	Mikrovlny
Teplu odolné sklo	Ano
Obyčejné sklo	Ne
Teplu odolná keramika	Ano
Plastové nádobí vhodné pro mikrovlny	Ano
Kuchyňský papír	Ano
Kovová nádoba	Ne
Kovový rošt	Ne
Hliníková fólie & fóliové nádoby	Ne

Názvy částí



1. Bezpečnostní zámek dvířek
2. Okýnko trouby
3. Podložka pod talíř s kolečky
4. Ovládací panel
5. Vlnovod
6. Skleněný talíř

Ovládací panel



Ovládací panel obsahuje dva funkční ovladače. Jeden je časový ovladač a druhý ovladač výkonu.

Volič výkonu/funkce

Tento ovladač použijte k volbě stupně výkonu. Je to první krok pro spuštění přípravy.

Časový ovladač

Nabízí vizuální časové nastavení snadným otočením voliče až do 30 minut.

Mikrovlnná příprava

Pro mikrovlnnou přípravu je šest výkonových úrovní, ze kterých si můžete zvolit nejvhodnější pro požadovaný úkol. Úroveň výkonu zvyšujete otáčením voliče ve směru hodinových ručiček. Úrovně výkonu můžete rozdělit následovně:

	Výstupní výkon	Popis
1	100%	Vysoký
2	88%	Středně vysoký
3	73%	Střední
4	52%	Středně nízký
5	42%	Rozmrazování
6	20%	Nízký

Ovládání

Spuštění přípravy.

1. Vložte pokrm do trouby a zavřete dvířka.
2. Voličem volby výkonu zvolte úroveň výkonu.
3. Ovladačem času nastavte dobu přípravy.

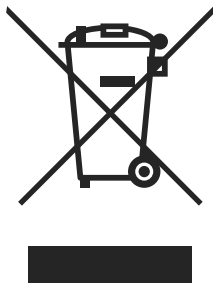
Poznámka: Po nastavení časovače začne trouba fungovat. Pokud chcete nastavit dobu do 2 minut, otočte ovladač časovače za 2 minuty a poté vraťte na požadovaný čas.

Čištění a údržba

1. Před čištěním vypněte troubu a odpojte od síťové zásuvky.
2. Udržujte vnitřek trouby čistý. Pokud je se vnitřek trouby postříká tekutinami, utřete jej vlhkou utěrkou. V případě silného znečištění použijte jemný mycí prostředek. Nepoužívejte spreje nebo jiné agresivní čističe, neboť mohou poškodit povrch dvířek.
3. Vnější povrch čistíte vlhkou utěrkou. Abyste zabránili poškození ovládacích komponentů uvnitř mikrovlnné trouby, voda se nesmí dostat do větracích otvorů.
4. Utřete dvířka a okýnko z obou stran a těsnění dvířek vlhkou utěrkou od skvrn a fleků. Nepoužívejte drsné čističe.
5. Zabraňte nadměrnému namočení ovládacího panelu. Vyčistěte jej jemnou, vlhkou utěrkou. Při čištění ovládacího panelu nechte dvířka otevřená, abyste zabránili nechtěnému zapnutí mikrovlnné trouby.
6. Pokud se zkondenzuje vlhkost uvnitř nebo z vnější strany trouby, utřete ji suchou utěrkou. Může se objevit v případě použití mikrovlnné trouby ve vlhkých podmínkách. Je to zcela normální.
7. Je nutné vyčistit také skleněný talíř. Talíř umyjte v teplé vodě nebo v myčce nádobí.
8. Podložku skleněného talíře s kolečky a dno trouby čistíte pravidelně, abyste zabránili nadměrnému hluku. Pouze utřete dno trouby jemným saponátem. Kolečka podložky můžete mýt jemným roztokem vody a saponátu nebo v myčce nádobí. Při vkládání podložky pod skleněný talíř dbejte na to, abyste jej vložili do správné pozice.
9. Pachy z mikrovlnné trouby odstraní pomocí sklenice vody s citrónovou šťávou a kůže z jednoho citrónu v hluboké míse, kterou necháte ohřívát po dobu 5 minut. Poté důkladně vytřete suchou jemnou utěrkou.
10. Pokud je nutné vyměnit žárovku osvětlení mikrovlnné trouby, kontaktujte prodejce.
11. Troubu čistíte pravidelně a odstraňujete veškeré zbytky pokrmů. Zanedbání pravidelného čištění vede k znehodnocení povrchu a má to nepříznivý vliv na spotřebič, což může vést k nebezpečným situacím.
12. Nevyhazujte spotřebič do běžného odpadu; využijte příslušné recyklační středisko.

UPOZORNĚNÍ: VŽDY VRAŤTE OVLADAČ ČASOVAČE NA POZICI NULA po vyjmutí pokrmu před uplynutím nastavené doby. K zastavení trouby během procesu stiskněte tlačítko otevření dvířek, nebo otevřete dvířka za madlo.

Informace pro uživatele k likvidaci elektrických a elektronických zařízení (domácnosti)



Tento symbol na produktech anebo v průvodních dokumentech znamená, že použité elektrické a elektronické výrobky nesmí být přidány do běžného komunálního odpadu.

Ke správné likvidaci, obnově a recyklaci doručte tyto výrobky na určená sběrná místa, kde budou přijata zdarma. Alternativně v některých zemích můžete vrátit své výrobky místnímu prodejci při koupi ekvivalentního nového produktu.

Správnou likvidací tohoto produktu pomůžete zachovat cenné přírodní zdroje a napomáháte prevenci potenciálních negativních dopadů na životní prostředí a lidské zdraví, což by mohly být důsledky nesprávné likvidace odpadů. Pro získání informací o likvidaci a recyklaci tohoto spotřebiče se prosím obraťte na společnost Elektrowin a.s. tel. 241 091 843 nebo www.elektrowin.cz, kde naleznete i seznam míst zpětného odběru.

Při nesprávné likvidaci tohoto druhu odpadu mohou být v souladu s národními předpisy uděleny pokuty.

Pro podnikové uživatele v zemích Evropské unie

Chcete-li likvidovat elektrická a elektronická zařízení, vyžádejte si potřebné informace od svého prodejce nebo dodavatele.

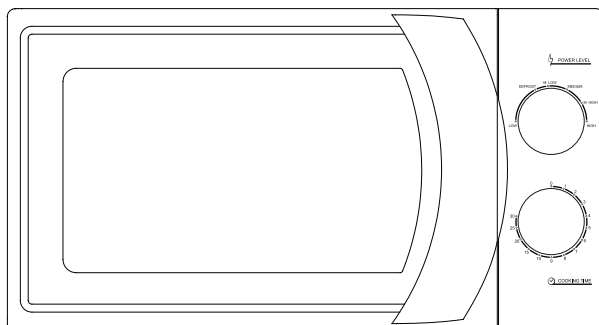
Informace k likvidaci v ostatních zemích mimo Evropskou unii

Tento symbol je platný jen v Evropské unii.

Chcete-li tento výrobek zlikvidovat, vyžádejte si potřebné informace o správném způsobu likvidace od místních úřadů nebo od svého prodejce.

CANDY

Mikrovlnná rúra



CMW 2070S

Návod na obsluhu

Prečítajte si prosím tento návod pozorne pred inštaláciou a použitím mikrovlnnej rúry. Zapište si na nižšie uvedené miesto sériové číslo, ktoré nájdete na výrobnom štítku spotrebiča.

Sériové číslo:

VYHLÁSENIE O SÚLADE



Umiestnením značky na tento produkt potvrdzujeme súlad so všetkými príslušnými európskymi požiadavkami na bezpečnosť, zdravie a životné prostredie, ktoré sa vzťahujú na tento výrobok v právnych predpisoch.

SPRÁVA ODPADU A OCHRANA ŽIVOTNÉHO PROSTREDIA



Tento spotrebič je označený v súlade s európskou smernicou 2012/19 / EÚ o elektrických a elektronických zariadeniach (OEEZ). OEEZ obsahuje ako znečisťujúce látky (ktoré môžu mať negatívny vplyv na životné prostredie), tak základné prvky (ktoré sa dajú opätovne použiť.) Je dôležité, aby sa OEEZ podrobil osobitnému spracovaniu s cieľom správne odstrániť a zneškodniť znečisťujúce látky a zhodnocovať všetky materiály. Jednotlivci môžu hrať dôležitú úlohu pri zabezpečení toho, aby sa OEEZ nestal environmentálnym problémom; je nevyhnutné dodržiavať niekoľko základných pravidiel:

- S OEEZ by sa nemalo zaobchádzať ako s domácim odpadom;
- OEEZ by sa mal odovzdať do vyhradených zberných oblastí, ktoré spravuje mestská rada alebo registrovaná spoločnosť.

V mnohých krajinách môžu byť domáce zbierky k dispozícii pre veľké OEEZ. Keď si kúpite nové zariadenie, staré zariadenie môžete vrátiť predajcovi, ktorý ho musí prijať ako jednorazové, pokiaľ je zariadenie rovnocenného typu a má rovnaké funkcie ako zakúpené zariadenie.

UPOZORNENIE PRED MOŽNÝM VYSTAVENÍM SA NADMERNEJ MIKROVLNNEJ ENERGII

1. Nepoužívajte mikrovlnnú rúru s otvorenými dvierkami, lebo to môže spôsobiť vystavenie sa mikrovlnnej energii. Nedemontujte bezpečnostné zámky.
2. Neumiestňujte žiadne predmety medzi predný panel rúry a dvierka a zabráňte usadzovaniu nečistôt na dvierkach alebo tesnení.
3. Nepoužívajte mikrovlnnú rúru, pokiaľ je poškodená. Je to najmä dôležité, aby sa dvierka zatvárali správne a aby neboli poškodené
 - a. Dvierka (ohnuté),
 - b. Závesy a poistky (zlomené alebo uvoľnené),
 - c. Tesnenie dvierok a tesniaci povrch.
4. Mikrovlnnú rúru môže opravovať iba kvalifikovaný servisný technik.

Obsah

Dôležité bezpečnostné pokyny	3
Technické údaje	4
Inštalácia	4
Rádiové rušenie	4
Princíp varenia pomocou mikrovĺn	5
Pokyny pre uzemnenie	5
Skôr ako zavoláte servis	5
Príručka k náčinu	6
Názvy častí	7
Ovládací panel	8
Ovládanie	9
Čistenie a údržba	9

Na výrobok bolo vydané ES prehlásenie o zhode.
Hlučnosť výrobku (EN 60704-2-13)

CMW 2070 55 dB (A) (maximálna hlučnosť)



DÔLEŽITÉ BEZPEČNOSTNÉ POKYNY

Pri použití elektrických spotrebičov dodržiavajte základné bezpečnostné pravidlá, vrátane nasledujúcich:

UPOZORNENIE:

Aby ste znížili riziko vzniku požiaru, zásahu elektrickým prúdom, zraneniu osôb a na ochranu pred mikrovlnným žiarením pri používaní Vášho spotrebiča odporúčame, aby ste dodržiavali tieto základné bezpečnostné opatrenia :

1. Prečítajte si pokyny pred použitím spotrebiča.
2. Používajte spotrebič iba pre určený účel podľa popisu v tomto návode. Nepoužívajte korozívne chemikálie v spotrebiči. Tento typ mikrovlnnej rúry je určený k ohrevu, vareniu alebo sušeniu jedla. Nie je určený pre priemyselné ani laboratórne využitie.
3. Nepoužívajte mikrovlnnú rúru, pokiaľ je prázdna.
4. Nepoužívajte spotrebič, pokiaľ má poškodený prívodný kábel alebo zástrčku, nefunguje správne alebo je poškodený akýmkoľvek spôsobom. Pokiaľ je poškodený prívodný kábel, môže ho vymeniť výrobca alebo kvalifikovaný servisný technik.
5. **UPOZORNENIE:** Deti môžu obsluhovať spotrebič iba za predpokladu, že boli poučené o použití spotrebiča a porozumeli nebezpečenstvu v prípade nesprávneho použitia spotrebiča.
6. Za účelom zníženia rizika požiaru vo vnútri mikrovlnnej rúry:
 - Pokiaľ ohrievate jedlo v plastových alebo papierových obaloch, kontrolujte proces často, aby ste zabránili možnému vznieteniu.
 - Odstráňte drôtik z papierových sáčkov pred vložením do rúry.
 - Pokiaľ si všimnete dym, vypnite alebo odpojte spotrebič a nechajte dverka zatvorené, aby ste uhasili plameň.
 - Nepoužívajte vnútorný priestor rúry pre uskladnenie. Nenechávajte papierové výrobky, náčinie ani jedlo v mikrovlnnej rúre, pokiaľ ju nepoužívate.
7. **UPOZORNENIE:** Tekutiny neohrievajte v uzatvorených nádobách, lebo môžu explodovať.
8. Mikrovlnný ohrev nápojov môže spôsobiť oneskorené náhle vyvrenie, preto zvyšte pozornosť pri manipulácii s nádobou.
9. V rúre nevypráždžajte jedlo. Horúci olej môže poškodiť diely mikrovlnnej rúry a náčinie.
10. Vajíčka v škrupine neohrievajte v mikrovlnnej rúre, lebo môžu explodovať aj po ukončení ohrevu.
11. Prepichnete jedlo so šupkou, ako sú jablká a gaštaný pred ohrevom.
12. Obsah kojeneckých fliaš dôkladne premiešajte pred servírovaním a skontrolujte teplotu, aby ste zabránili popáleniu.
13. Nádobu sa môže ohrievať z dôvodu prenosu tepla z jedla. Pri manipulácii s nádobou používajte kuchynské rukavice.
14. Skontrolujte, či je nádoba vhodná pre použitie v mikrovlnnej rúre.
15. **UPOZORNENIE:** Je nebezpečné pre kohokoľvek iného ako kvalifikovaný servisný technik, vykonávať akékoľvek opravy, ktoré vyžadujú zloženie krytov poskytujúcich ochranu pred mikrovlnným žiarením.
16. Tento výrobok je zariadenie Skupiny 2 Triedy ISM. Definícia Skupiny 2, ktorá obsahuje všetky ISM (Industrial, Scientific and Medical) zariadenia, v ktorých sa vytvára a používa rádio-frekvenčná energia vo forme elektromagnetického žiarenia pre ošetrovanie materiálu. Podľa triedy B zariadenia je zariadenie vhodné pre použitie v domácnosti a určené pre priame pripojenie k nízkonapäťovej elektrickej sieti v domácnostiach.
17. Tento spotrebič nie je určený pre použitie osobami (vrátane detí) so zníženými fyzickými, senzorickými alebo mentálnymi schopnosťami alebo bez dostatočných skúseností a vedomostí, pokiaľ nie sú pod dohľadom osoby zodpovednej za ich bezpečnosť.
18. Nedovoľte deťom hrať sa so spotrebičom.

Technické údaje

Spotreba el. energie:	230 V~240 V/50 Hz, 1200 W (Mikrovlny)
Menovitý výstupný výkon mikrovln:	700 W
Prevádzkové frekvencie:	2450 MHz
Vonkajšie rozmery:	262 mm (v) × 452 mm (š) × 370 mm (h)
Rozmery vnútorného priestoru:	220 mm (v) × 315 mm (š) × 294 mm (h)
Objem rúry:	20 litrov
Systém varenia:	Otočný tanier
Hmotnosť:	približne 12 kg

Inštalácia

1. Odstráňte všetky obalové materiály z vnútorného priestoru a z dvierok.
2. **UPOZORNENIE:** Skontrolujte, či rúra nie je poškodená, ako sú ohnuté dvierka, poškodené tesnenie dvierok alebo tesniaci povrch, uvoľnené alebo prasknuté závesy a poistky a diery vo vnútornom priestore. V prípade akéhokoľvek poškodenia mikrovlnnú rúru nepoužívajte a kontaktujte kvalifikovaného servisného technika.
3. Nestavajte mikrovlnnú rúru na miesta vystavené teplu, vlhkosti alebo do blízkosti horľavých materiálov.
4. Pre správnu prevádzku musí byť mikrovlnná rúra dostatočne vetraná. Ponechajte 20 cm voľného priestoru nad rúrou, 10 cm zo zadnej strany a 5 cm z bočných strán. Nezakrývajte vetracie otvory spotrebiča. Nedemontujte nožičky.
5. Nepoužívajte rúru bez skleneného taniera a jeho podložky.
6. Uistite sa, či nie je poškodený prívodný kábel a nevedzte ho cez horúce alebo ostré povrchy.
7. Zásuvka musí byť ľahko dostupná pre prípad potreby náhleho odpojenia spotrebiča.
8. Nepoužívajte mikrovlnnú rúru vonku.

Rádiové rušenie

Prevádzka mikrovlnnej rúry môže spôsobiť rušenie Vášho rádia, TV, alebo podobného prístroja. Pokiaľ sa objaví rušenie, môžete ho znížiť alebo odstrániť jedným z nasledujúcich krokov:

1. Vyčistite dvierka a tesniaci povrch dvierok.
2. Presmerujte prijímaciu anténu rádia alebo televízora.
3. Postavte mikrovlnnú rúru so zreteľom na prijímač.
4. Presuňte mikrovlnnú rúru ďalej od prijímača.
5. Pripojte mikrovlnnú rúru k inému okruhu ako je pripojený prijímač.

Princíp varenia pomocou mikrovln

1. Rozmiestnite jedlo pozorne. Postavte hrubšie časti na vonkajší okraj taniera.
2. Sledujte čas prípravy. Používajte čo najkratší čas, v prípade potreby čas predĺžte. Nadmerne prepečené jedlo môže spôsobiť dym alebo sa vznietiť.
3. Počas prípravy jedlo zakryte. Zakrytie bráni striekaniu a pomáha rovnomerne pripravovať jedlo.
4. Jedlo v priebehu prípravy jedenkrát otočte na urýchlenie prípravy jedla ako je kurča a hamburgery. Veľké kusy ako pečenka musíte otočiť najmenej jedenkrát.
5. Jedlo, ako je mleté mäso, počas prípravy premiešajte zhora dolu a zo strán do stredu.

Pokyny pre uzemnenie

Tento spotrebič musí byť uzemnený. Táto rúra je vybavená prírodným káblom s uzemňovacím vodičom a zástrčkou. Musí byť pripojená k elektrickej zásuvke, ktorá je správne inštalovaná a uzemnená. V prípade skratu znižuje uzemnenie riziko zasiahnutia elektrickým prúdom pomocou vodiča odvádzajúceho elektrický prúd. Pre rúru odporúčame samostatné elektrické vedenie. Použitie vysokého napätia je nebezpečné a môže spôsobiť požiar alebo iné nebezpečenstvo.

UPOZORNENIE: Nesprávne použitie uzemňovacej zástrčky môže spôsobiť úraz elektrickým prúdom.

Poznámka:

1. Pokiaľ máte akékoľvek otázky týkajúce sa uzemnenia alebo pripojenia, kontaktujte kvalifikovaného technika.
2. Výrobca ani predajca nezodpovedá za poškodenie rúry alebo úraz spôsobený nedodržaním pokynov k elektrickému pripojeniu.

Vodiče v tomto kábli sú farebne označené v súlade s nasledujúcim kódom:

Zelenožltý	=	Uzemnenie
Modrý	=	Neutrálny
Hnedý	=	Živý

Skôr ako zavoláte servis

Pokiaľ rúra nefunguje správne:

1. Zaisťte, aby bola rúra správne pripojená. Pokiaľ nie je, vytiahnite zástrčku zo zásuvky, počkajte 10 sekúnd a potom opäť pripojte.
2. Skontrolujte, či nie je vypálená poistka napájacej siete alebo vypnutý istič. Skontrolujte pomocou iného spotrebiča.
3. Skontrolujte, či je správne naprogramovaný ovládaci panel a nastavený časovač.
4. Skontrolujte, či sú správne uzatvorené dvierka pomocou bezpečnostného systému. V opačnom prípade nebude do rúry prúdiť mikrovlnná energia.

POKIAL' NIČ NEPOMÁHA, KONTAKTUJTE KVALIFIKOVANÉHO SERVISNÉHO TECHNIKA.
NEPOKÚŠAJTE SA SVOJPOMOCNE NASTAVOVAŤ ALEBO OPRAVOVAŤ MIKROVLNNÚ RÚRU.

SÉRIOVÉ ČÍSLO VÝROBKU. Kde ho nájdem?

Servisnému stredisku je potrebné oznámiť typ výrobku a sériové číslo výrobku (16 znakový kód, ktorý začína číslicou 3); tento môžete nájsť na záručnom liste alebo na výrobnom štítku na spotrebiči. Pomôže zabrániť zbytočným výjazdom technika, čím (značne) šetrí s tým spojené náklady. Zoznam autorizovaných miest je uvedený na www.candy-hoover.cz

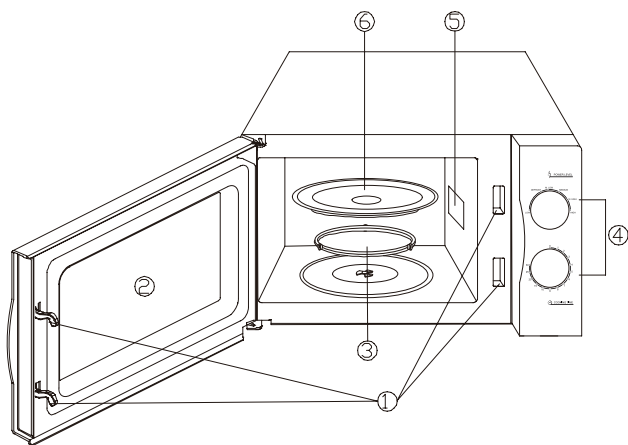
Príručka k náčiniu

1. Ideálny materiál pre mikrovlnné náčinie je priepustný pre mikrovlny, umožňujúci prechádzať energii cez nádobu a ohrievať jedlo.
2. Mikrovlny nemôžu prechádzať cez kov, preto nepoužívajte kovové náčinie ani nádoby s kovovým pásom.
3. Nepoužívajte výrobky z recyklovaného papiera, lebo môžu obsahovať malé kovové časti, ktoré môžu spôsobiť iskrenie alebo požiar.
4. Používajte radšej okruhlé nádoby namiesto štvorcových, lebo jedlo v rohoch má tendenciu sa prevariť.
5. Hliníkovou fóliu môžete použiť na zakrytie vyčnievajúcich častí pre ochranu pred prepečením. Nepoužívajte však nadmerné množstvo a dbajte na to, aby zostala minimálna vzdialenosť 2,54 cm medzi fóliou a vnútornými stenami rúry.

Nižšie uvedený zoznam je základnou príručkou pre voľbu správneho náčinia.

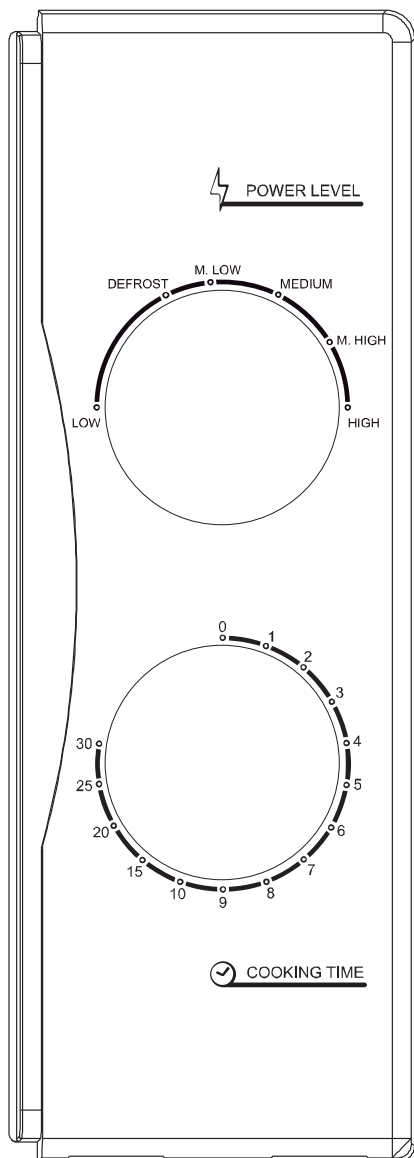
Náčinie	Mikrovlny
Teplu odolné sklo	Áno
Obyčajné sklo	Nie
Teplu odolná keramika	Áno
Plastové nádoby vhodné pre mikrovlny	Áno
Kuchynský papier	Áno
Kovová nádoba	Nie
Kovový rošt	Nie
Hliníková fólia a fóliové nádoby	Nie

Názvy častí



1. Bezpečnostná zámka dverok
2. Okienko rúry
3. Podložka pod tanier s kolieskami
4. Ovládací panel
5. Vlnovod
6. Sklenený tanier

Ovládací panel



Ovládací panel obsahuje dva funkčné ovládače. Jeden je časový ovládač a druhý ovládač výkonu.

Volič výkonu/funkcie

Tento ovládač použite pre voľbu stupňa výkonu. Je to prvý krok pre spustenie prípravy.

Časový ovládač

Ponúka vizuálne časové nastavenie jednoduchým otočením voliča až do 30 minút.

Mikrovlnná príprava

Pre mikrovlnnú prípravu je šesť výkonových úrovní, z ktorých si môžete zvoliť najvhodnejšiu pre požadovanú úlohu. Úroveň výkonu zvyšujete otáčaním voliča v smere hodinových ručičiek. Úrovně výkonu môžete rozdeliť nasledovne:

	Výstupný výkon	Popis
1	100%	Vysoký
2	88%	Stredne vysoký
3	73%	Stredný
4	52%	Stredne nízky
5	42%	Rozmrazovanie
6	20%	Nízky

Ovládanie

Spustenie prípravy.

1. Vložte jedlo do rúry a zatvorte dverka.
2. Voličom voľby výkonu zvolte úroveň výkonu.
3. Ovládačom času nastavte čas prípravy.

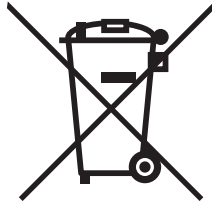
Poznámka: Po nastavení časovača začne rúra fungovať. Pokiaľ chcete nastaviť čas do 2 minút, otočte ovládač časovača za 2 minúty a potom vráťte na požadovaný čas.

Čistenie a údržba

1. Pred čistením vypnite rúru a odpojte od sieťovej zásuvky.
2. Udržievajte vnútro rúry čisté. Pokiaľ je vnútro rúry postriekané tekutinami, utrite ho vlhkou utierkou. V prípade silného znečistenia použijete jemný čistiaci prostriedok. Nepoužívajte spreje alebo iné agresívne čističe, lebo môžu poškodiť povrch dveriek.
3. Vonkajší povrch vyčistíte vlhkou utierkou. Aby ste zabránili poškodeniu ovládacích komponentov vo vnútri mikrovlnnej rúry, voda sa nesmie dostať do vetracích otvorov.
4. Utrite dverka a okienko z obidvoch strán a tesnenie dveriek vlhkou utierkou od škvŕn a flakov. Nepoužívajte drsné čističe.
5. Zabráňte nadmernému namočeniu ovládacieho panela. Vyčistite ho jemnou, vlhkou utierkou. Pri čistení ovládacieho panela nechajte dverka otvorené, aby ste zabránili nechcenému zapnutiu mikrovlnnej rúry.
6. Pokiaľ sa skondenzuje vlhkosť vo vnútri alebo z vonkajšej strany rúry, utrite ju suchou utierkou. Môže sa objaviť v prípade použitia mikrovlnnej rúry vo vlhkých podmienkach. Je to úplne normálne.
7. Je potrebné vyčistiť taktiež sklenený tanier. Tanier umyte v teplej vode alebo v umývačke riadu.
8. Podložku skleneného taniera s kolieskami a dno rúry čistite pravidelne, aby ste zabránili nadmernému hluku. Iba utrite dno rúry jemným saponátom. Kolieska podložky môžete umývať jemným roztokom vody a saponátu alebo v umývačke riadu. Pri vkladaní podložky pod sklenený tanier dbajte na to, aby ste ho vložili do správnej pozície.
9. Pachy z mikrovlnnej rúry odstránite pomocou pohára vody s citrónovou šťavou a kože z jedného citróna v hlbkej mise, ktorú necháte ohrievať na 5 minút. Potom dôkladne utrite suchou jemnou utierkou.
10. Pokiaľ je potrebné vymeniť žiarovku osvetlenia mikrovlnnej rúry, kontaktujte predajcu.
11. Rúru čistite pravidelne a odstráňte všetky zvyšky jedla. Zanedbanie pravidelného čistenia vedie k znehodnoteniu povrchu a má to nepriaznivý vplyv na spotrebič, čo môže viesť k nebezpečným situáciám.
12. Nevyhadzujte spotrebič do bežného odpadu; využite príslušné recyklačné stredisko.

UPOZORNENIE: VŽDY VRÁŤTE OVLÁDAČ ČASOVAČA NA POZÍCIU NULA po vybraní jedla pred uplynutím nastaveného času. Pre zastavenie rúry počas procesu stlačte tlačidlo otvorenia dveriek, alebo otvorte dverka za rúkavň.

Informácie o likvidácii opotrebovaného elektrického zariadenia (súkromné domácnosti)



Tento symbol na produktoch a/alebo na priložených dokumentoch znamená, že sa pri likvidácii nesmú elektrické a elektronické zariadenia miešať so všeobecným domácim odpadom.

V záujme správneho obhospodarovania, obnovy a recyklácie odveďte, prosím, tieto produkty na určené zberné miesta, kde budú prijaté bez poplatku. V niektorých krajinách je možné tieto produkty vrátiť priamo miestnemu maloobchodu v prípade, ak si objednáte podobný nový výrobok.

Správna likvidácia týchto produktov pomôže ušetriť hodnotné zdroje a zabrániť možným negatívnym vplyvom na ľudské zdravie a prostredie, ktoré môžu inak vzniknúť v dôsledku nesprávneho zaobchádzania s odpadom. Bližšie informácie o najbližšom zbernom mieste získate na miestnom úrade.

V prípade nesprávnej likvidácie odpadu môžu byť uplatnené pokuty v súlade s platnou legislatívou.

Pre právnické osoby v Európskej únii

Ak potrebujete zlikvidovať opotrebované elektrické a elektronické zariadenia, bližšie informácie získate od svojho miestneho predajcu alebo dodávateľa.

Informácie o likvidácii v krajinách mimo Európskej únie

Tento symbol je platný len v Európskej únii. Ak si želáte zlikvidovať toto zariadenie, obráťte sa na miestny úrad alebo predajcu a poinformujte sa o správnom spôsobe likvidácie tohto typu odpadu.